

focus[®]

CREATE BEYOND CONVENTION

ERGOFOCUS GAS

INSTALLATION SERVICING AND USER INSTRUCTIONS

CE

Table of contents

Introduction

INTRODUCTION.....	02
GENERAL INFORMATION.....	03
■ IMPORTANT SAFETY NOTICE.....	03
■ GENERAL FITTING INFORMATION.....	03
INSTALLER INFORMATION.....	04
■ VENTILATION.....	04
■ APPLIANCE SHUT-OFF VALUE.....	04
■ DISTANCE TO COMBUSTIBLE.....	04
■ CONNECTING THE APPLIANCE.....	04
■ INSTALLING THE APPLIANCE.....	05
■ TESTING AND COMMISSIONING.....	13
■ ARRANGING THE CERAMIC FIRE-BED.....	15
■ BURNER PRESSURE.....	18
■ FLUE SPILLAGE MONITORING SYSTEM.....	18
■ TESTING FOR SPILLAGE.....	18
■ BRIEFING THE CUSTOMER.....	18
■ SERVICING INSTRUCTIONS.....	19
■ SPARE PARTS.....	19
■ TROUBLESHOOTING.....	19
■ COUNTRIES OF DESTINATION.....	20
■ TECHNICAL DATA.....	21
■ TECHNICAL DETAILS.....	22
USER INSTRUCTIONS.....	23
■ BATTERY TYPE.....	23
■ OPERATING INSTRUCTIONS.....	23
■ MANUAL TURN OFF.....	28
■ CLEANING AND MAINTENANCE.....	28
APPENDIX.....	29
■ EXTRACTOR OPTIONS.....	29
■ MERTIK FAULT FINDING CHART.....	37
■ WIRING DIAGRAM.....	41
■ COMBINATION CONTROL.....	42
■ DECLARATION OF CONFORMITY.....	43

IMPORTANT

The installation of gas appliances must be carried out by a qualified gas professional and/or subject to the creation of a mandatory "certificate of conformity" (example: Qualigaz Chiministe certificate).

IMPORTANT

Please read these instructions carefully before installing or using this product, and keep a copy in a safe place for future reference. Please read these instructions carefully before installing or using this product, and keep a copy in a safe place for future reference.

Preliminary notes to be read before installation.

This appliance has a decorative effect that diffuses radiant heat using a new generation of burner.

The burner is designed to operate with natural draft ducts as listed in the installation instructions.

The installation of this appliance must comply with the regulations on the safety of gas installations, their use, these instructions and any related local and national building regulations.

Please read these instructions in their entirety before beginning installation. This appliance must be installed in accordance with applicable regulations and only used in a sufficiently ventilated area.

This appliance is designed for use with the type of gas and pressure indicated on the appliance nameplate.

This manual covers the following devices:
- Ergofocus gas

General Information

■ IMPORTANT SAFETY NOTICE

This appliance has a ceramic Fire-bed arrangement; this contains Refractory Ceramic Fibres, which are man-made vitreous silicate fibres. Excessive exposure to these materials can cause irritation to eyes, skin and respiratory organs. Hence we recommend that when handling these materials the release of dust should be kept to a minimum. During installation and servicing we recommend that a HEPA filtered vacuum be used to remove any dust and soot in and around the fire. If any of the ceramic fire-bed components need to be replaced we recommend that the removed parts be sealed in a heavy-duty polythene bag, and be labelled as RCF waste. RCF is not "Hazardous waste" and can be disposed of at a licensed tipping site for the disposal of industrial waste.

The appliance incorporates a permanent pilot. This is located on the front of the burner, and must not be adjusted by the installer. This system must not be put out of operation, and if any parts require changing, only original manufacturer parts shall be used.

This appliance is designed to be used either Natural or LPG gas however, each individual appliance is only capable of running off the type of gas specified at the time of purchase. It is important to note that once a type of gas has been specified the fire cannot run off any other type. The type of gas that your fire is capable of burning is stated on the data information panel.

This appliance has been designed, tested and approved to meet standards in place for product use, performance and safety. Installation of your appliance must comply with current building regulations. It is therefore recommend that a registered gas installer be employed for this task. The engineer will provide you with information about the safety limits of the installation and should fix a notice plate in a place where it can be readily seen.

This appliance is designed as a decorative heating device and consequently all body parts become very hot in use. Except for the control knob and control access door, which are designed to stay cool, all other parts are working surfaces and should not be touched.

The front of this appliance incorporates a decorative Log Guard, **It does not give full protection for young children, the elderly or infirm**, extra protection should be considered for these conditions conforming to BS 6539 or BS 6778. The appliance is not fitted with a functional integral guard. In normal use, consideration should be given to the use of an additional guard, conforming to the standard above, such that access to the open flame is minimised.

Bearing in mind that the heat given off by this appliance may affect articles placed close to it, curtains should not be placed within 30cm.

The appliance is not designed as a dryer. It is not therefore recommended that the appliance be used in such a manner. Do not place any articles within 30cm of this appliance as this may result in damage to the articles.

The installation must be carried out in accordance with the following regulations:

The Building Regulations issued by the Department of the Environment, the Building Standards (Scotland) (Consolidation) Regulations issued by the Scottish Development Department.

BS 1251, BS 5440 part 1, BS 5871 part 3, BS 6461 part1, BS 6891 and BS 8303

In the Republic of Ireland the installation must also conform to the relevant standards, particularly in regard to flue sizing and ventilation. Refer to documents IS813, ICP3, IS327 and any other rules in force.

This appliance must be installed in accordance with national regulations and the rules in force and used only in a sufficiently ventilated space, and is intended for use on a gas installation with a governed meter.

Before installation, ensure that the local distribution conditions (identification of the type of gas and pressure) and the adjustment of the appliance are compatible. The technical specification of this appliance is given on the rear page of this manual.

The fuel bed or this appliance should not be disturbed, and rubbish or other fuels must not be thrown onto the fire.

The Chimney should be checked regularly to ensure that all the products of combustion are entering the flue or canopy, and that there is no excessive build up of soot. If any soot is found to build up it must be removed as described in the servicing instructions.

Ventilation must be checked regularly to ensure that it is free from obstruction.

Any debris from any source, or soot formed shall require removal. Please see servicing section for details.

■ GENERAL FITTING INFORMATION

Inlet Pipe connection:	1/2" BSP
Flame monitor:	Permanent Pilot - ODS
Flue connection:	Ø210 mm
Appliance mass:	85 kg

User control: Variable rotary control inc. Integrated automated ignition, pilot facility, Flame failure device and Oxygen Depletion Cut-out.
This appliance is intended for decorative purposes.

Before installation of these appliances, the area into which the fire is to be fitted must be cleared of all debris (including dust), in particular combustible material.

This appliance is designed to be built dropped from the ceiling.

The builder's ceiling must be constructed of non-combustible material.

The appliance must have a strong attachment to the ceiling surface sufficient to support the weight of the fire.

The flue must be connected to only one fireplace, and the flue must not vent more than one appliance (i.e. not shared with a gas back boiler). There must be no opening in the flue apart from the one that the appliance is installed into, and the one venting the gases into the air. A suitable terminal may be fitted, such as class GC1, as the regulations allow.

Any flue damper plates or flue restrictors shall be removed or fixed permanently in the fully open position.

The chimney must be swept before the appliance is installed and a flue test in accordance with national regulations carried out.

This appliance has been tested for use with circular flues of a minimum internal diameter of 200mm (8").

The flue termination (cow) must be of a type suitable for use with an inset Decorative Fuel Effect Fire BS5871 part 3 contains further details.

Installer information

■ VENTILATION

This product is rated in excess of 7kW, and it is a legal requirement to have 100cm² of ventilation if the input is in excess of 7kW. Thus 100cm² of ventilation is required.

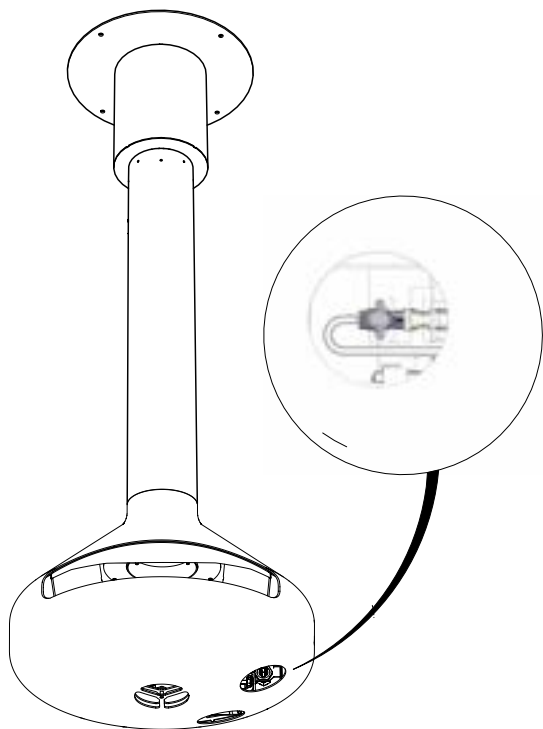
Any air supply shall be in accordance with national regulations.

If spillage is detected when commissioning the appliance then amongst other problems there may be insufficient natural ventilation for the correct operation of the flue. This is potentially a greater problem should the property be of modern nature. If the appliance does not spill with windows open but does with windows closed, this proves that lack of ventilation is the problem, if not; it will be the flue at fault. Installation of an air brick is the best solution. Any ventilation fitted must comply with BS 5871 part 3 and BS 5440 part 2. Ventilation located underneath or within the immediate vicinity of the fire MUST NOT be used as it may adversely affect the performance of the O.D.S system.

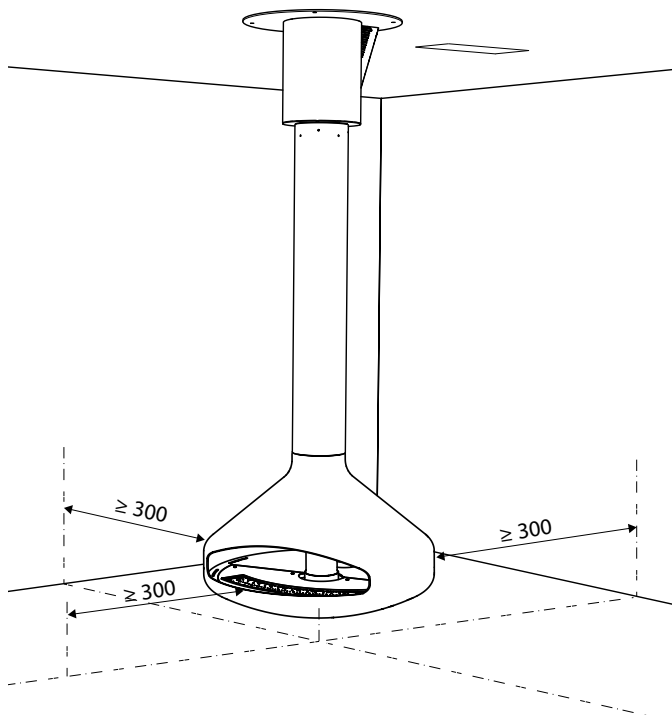
Spillage detected during commissioning is almost always a result of poor flue performance, which cannot be corrected by any amount of ventilation.

For Republic of Ireland ventilation may be required, see IS 813, ICP3, IS 327, and any other rules in force.

■ APPLIANCE SHUT-OFF VALVE



Safety clearance distances from combustible materials.



■ CONNECTING THE APPLIANCE

Notes :

- Ensure that the gas supply is isolated before installing the unit.
- Check that the thermocouple connection at the rear of the control unit is correctly screwed in.
- Carry out a smoke test to check that the flue provides adequate draught and is airtight.

The gas supply point must be fitted with a 1/2" BSP male fitting to allow connection of this unit.

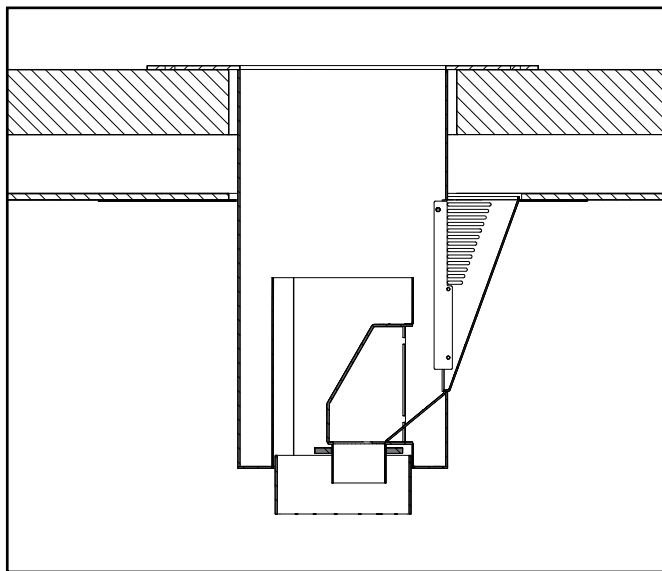
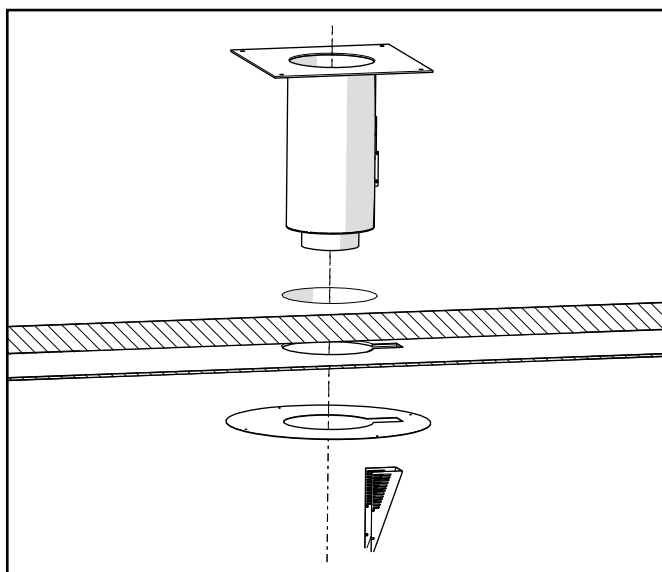
■ DISTANCE TO COMBUSTIBLE

Installer information

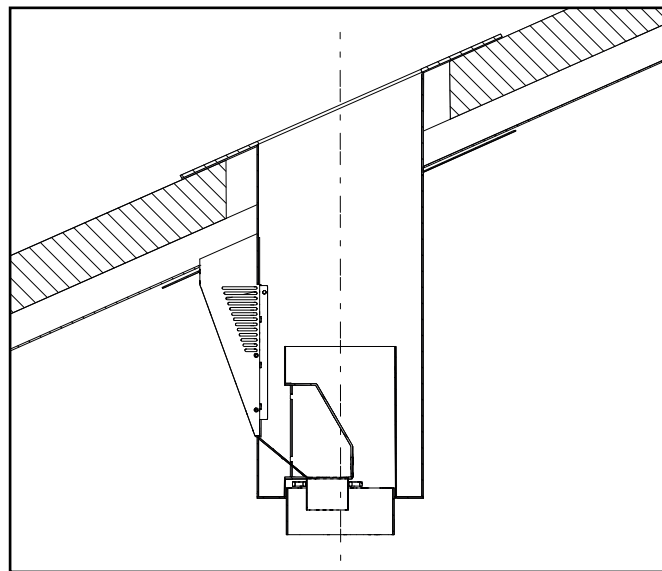
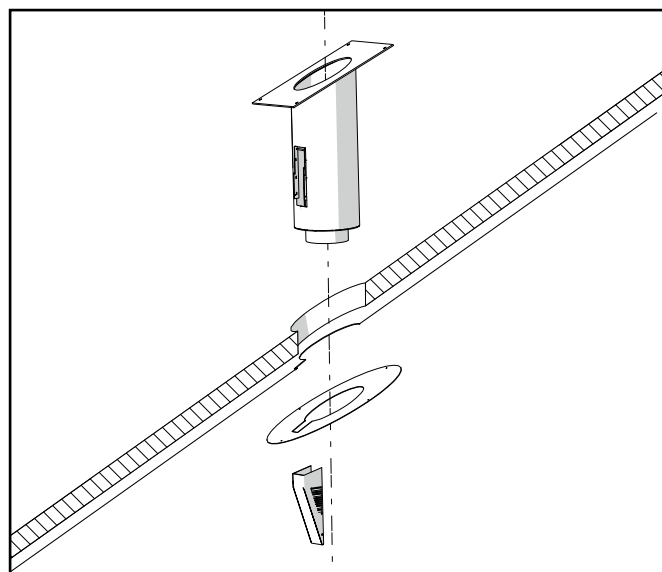
■ INSTALLING THE APPLIANCE

A. PLATE TYPES

Standard plate

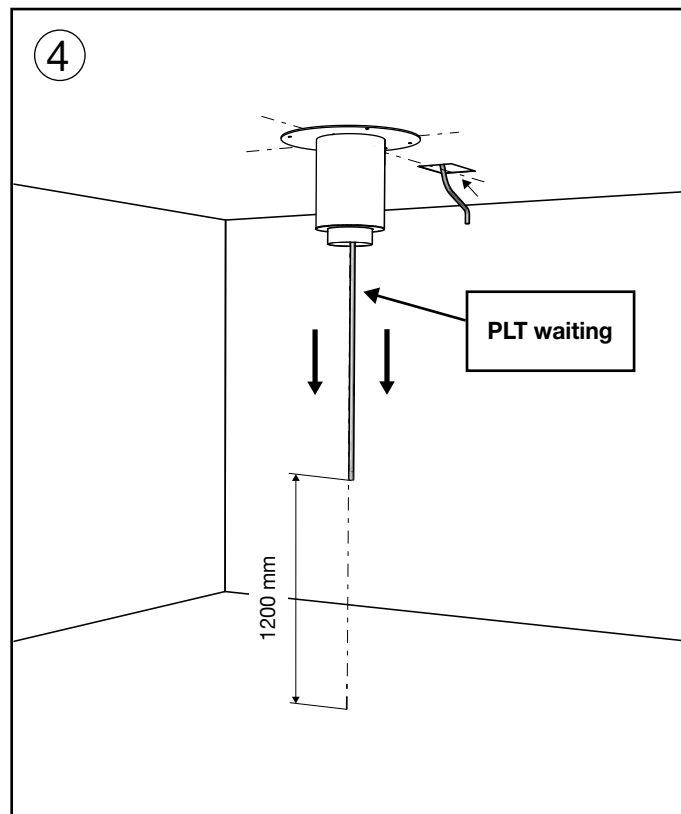
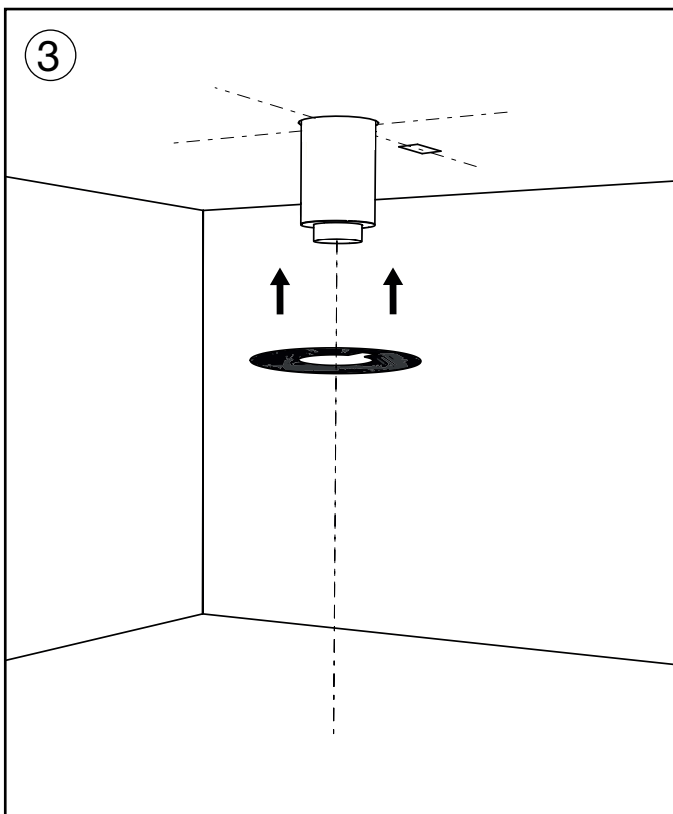
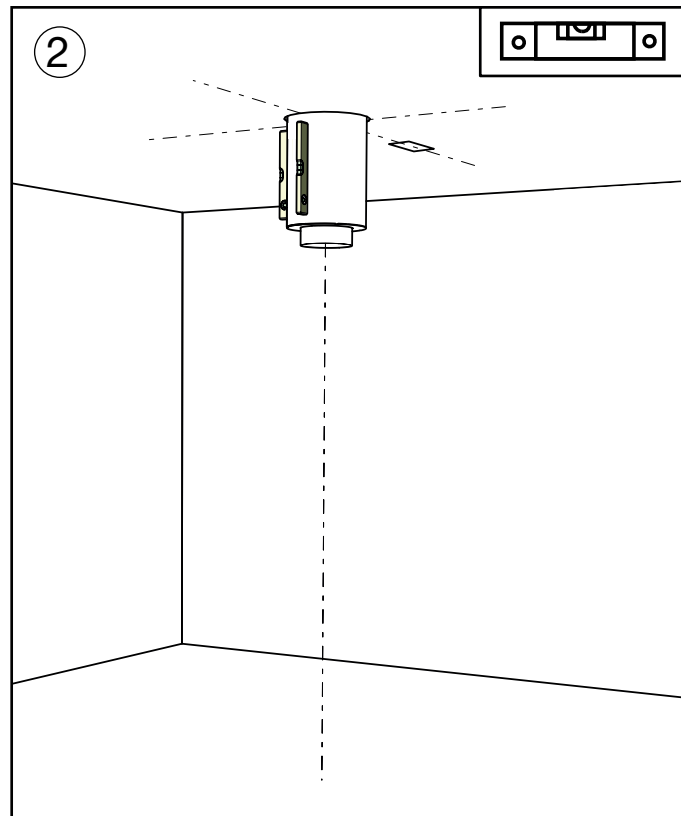
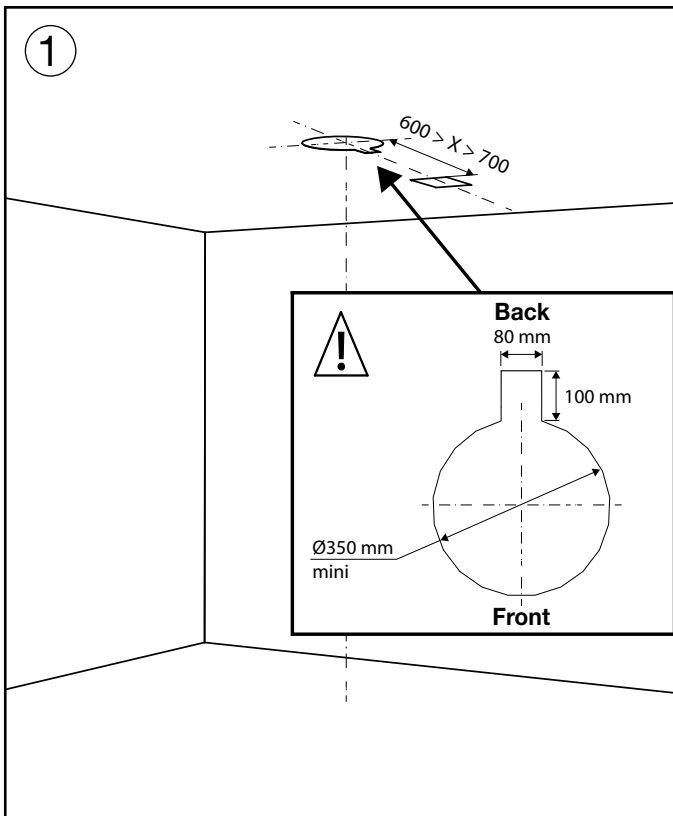


Oblique plate

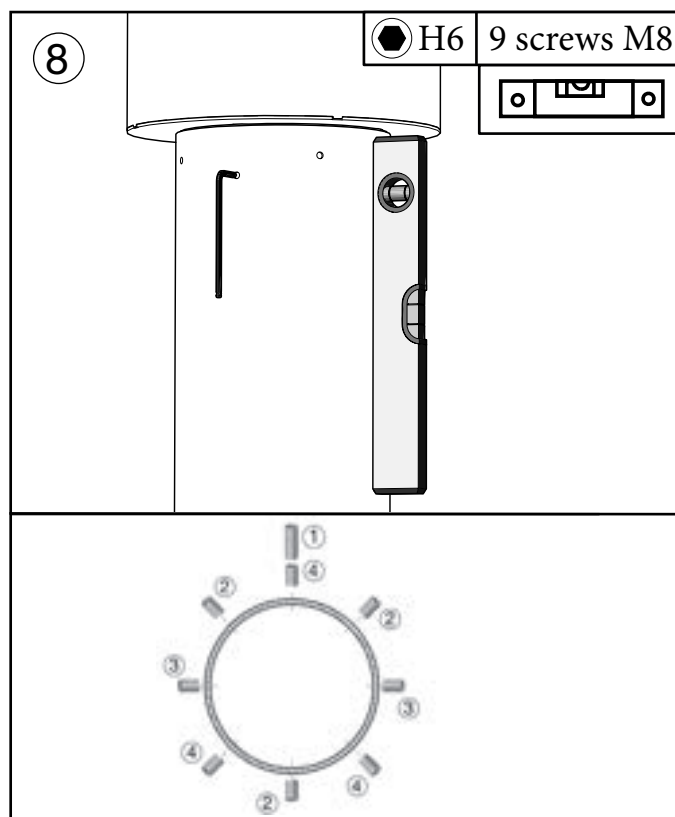
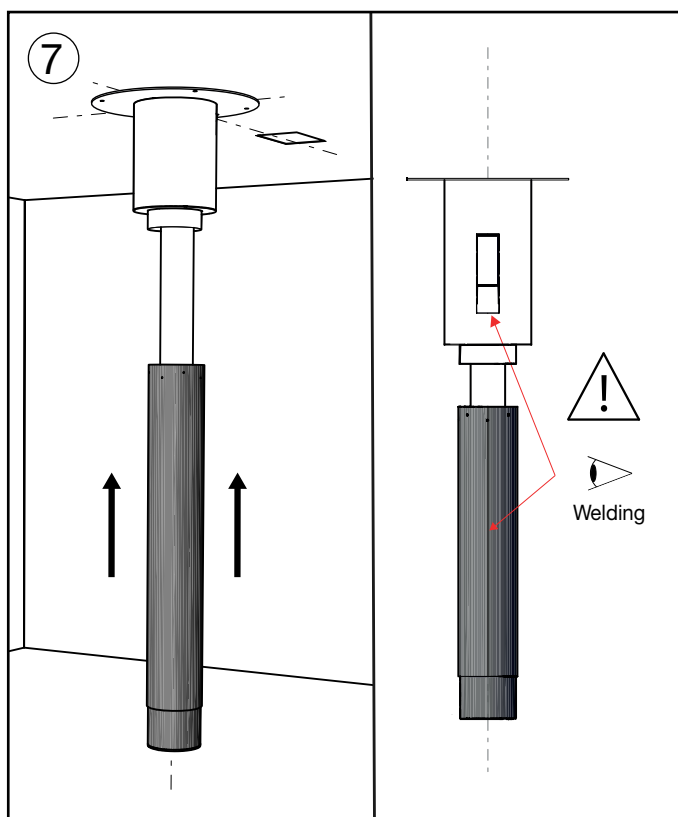
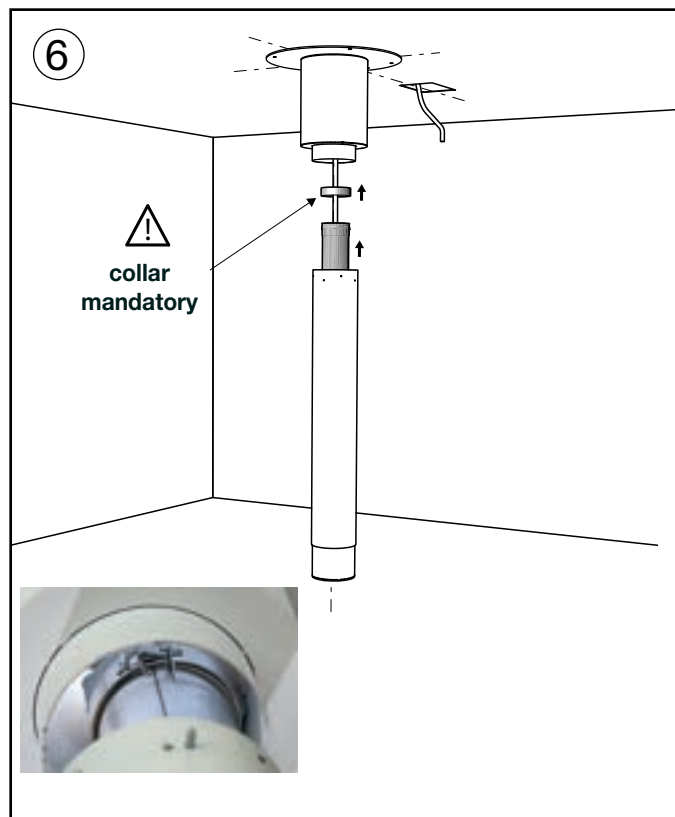
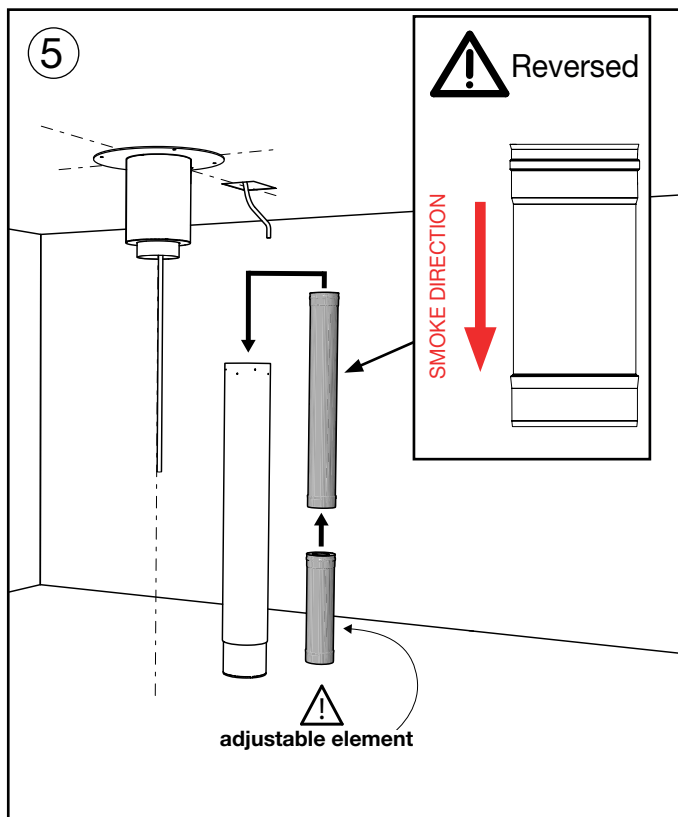


Installer information

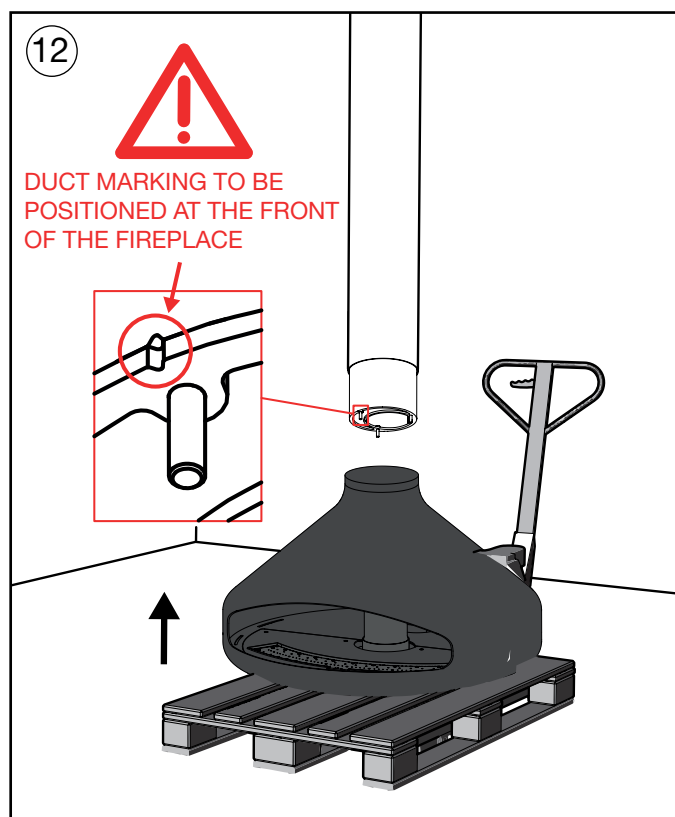
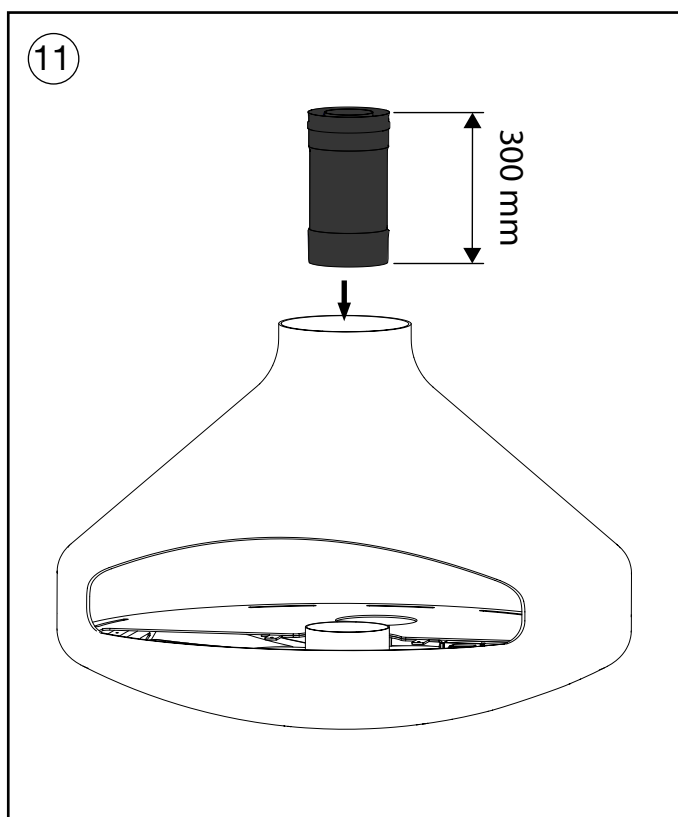
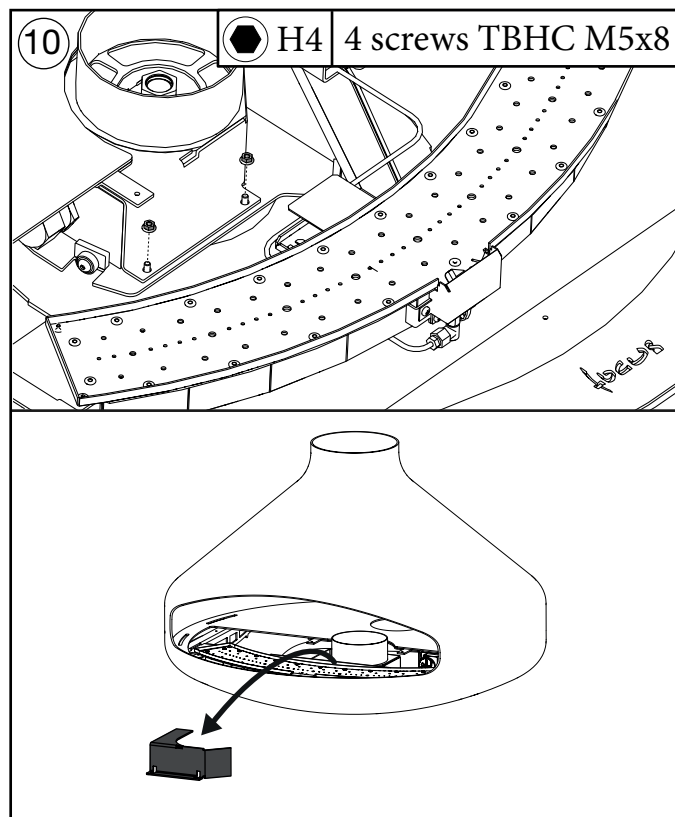
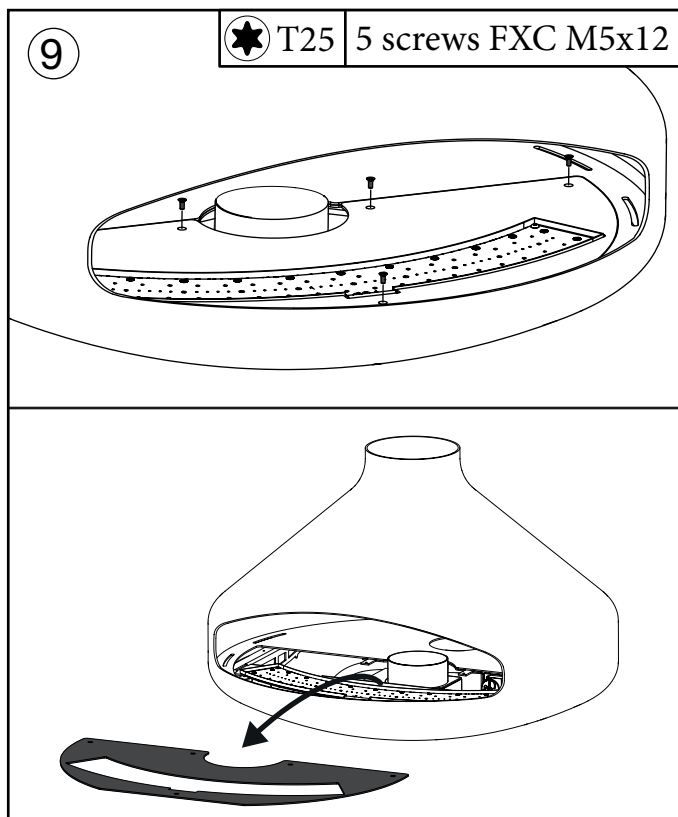
B. FIREPLACE INSTALLATION



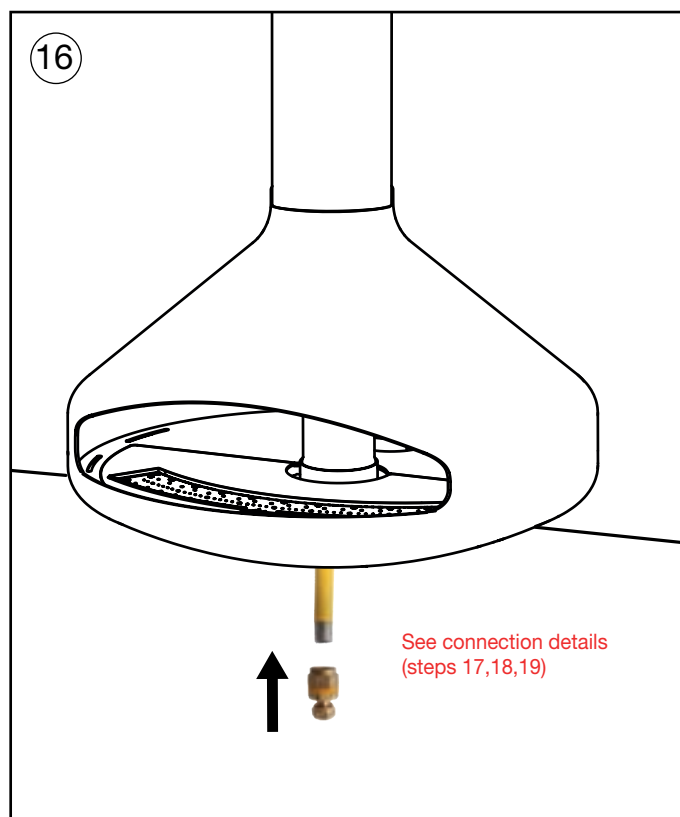
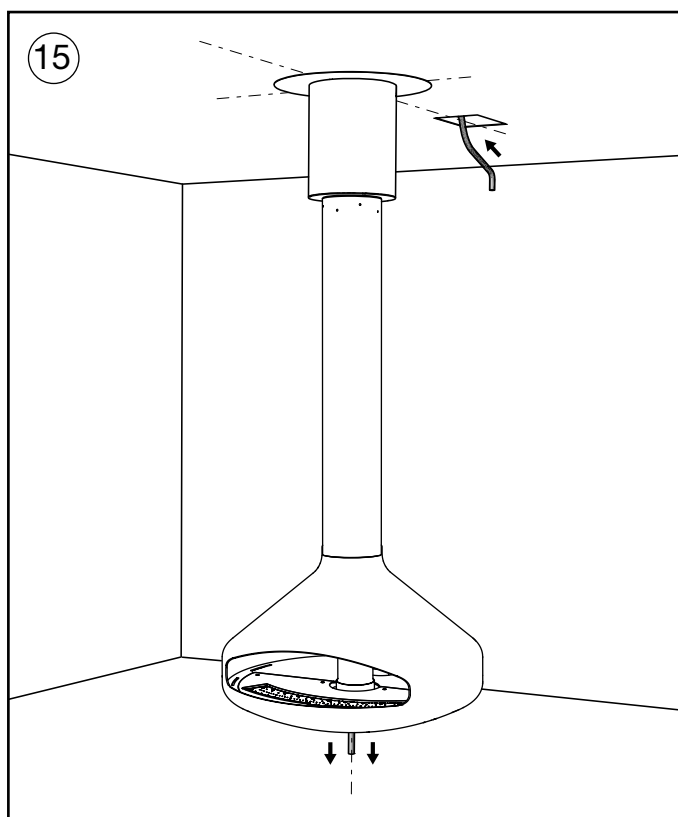
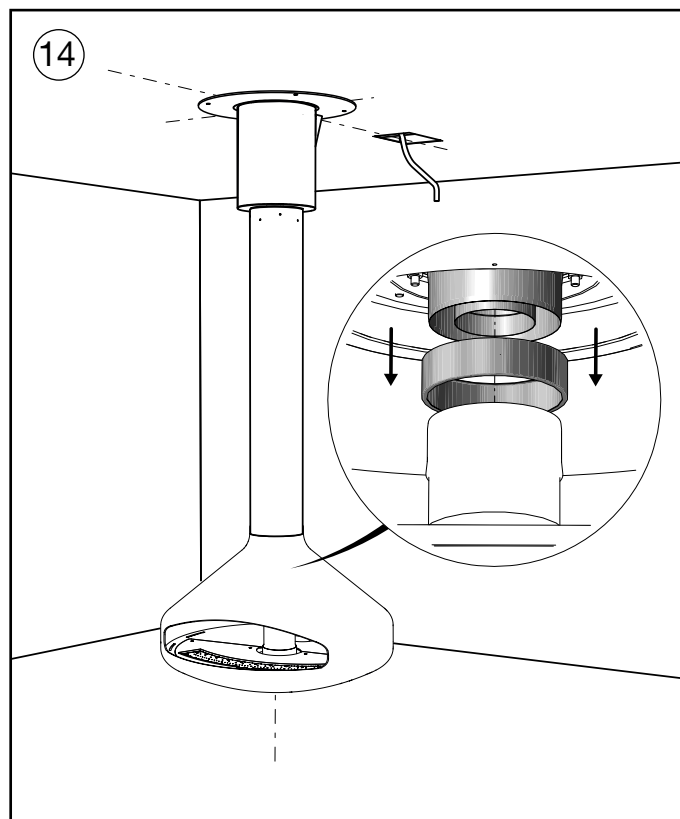
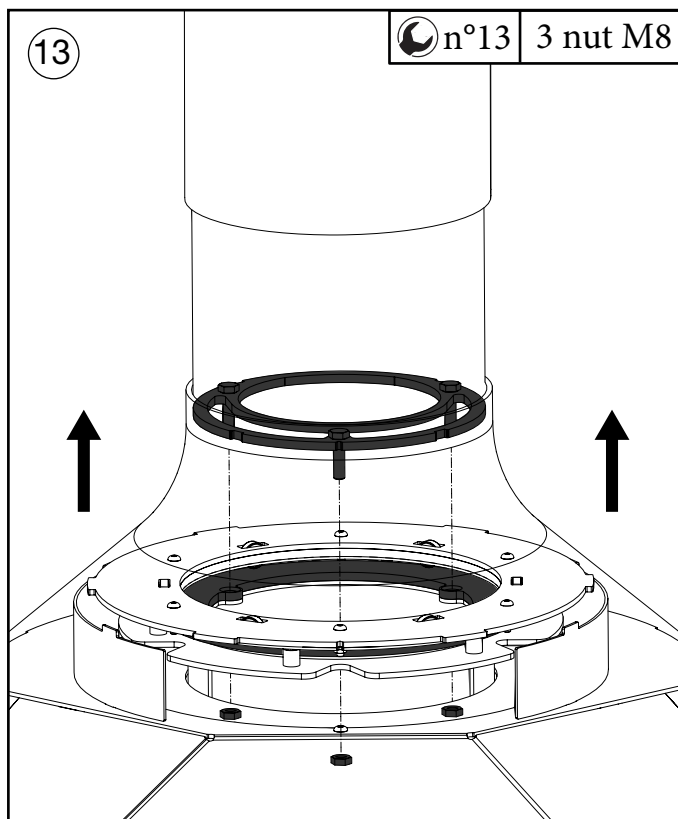
Installer information



Installer information



Installer information



Installer information

17

Detail of PLT stainless steel gas hose connection (BANIDES)



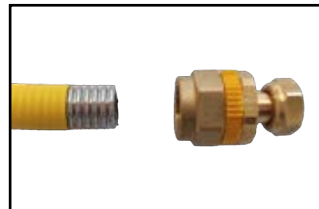
Cut the PLT pipe with a pipe cutter



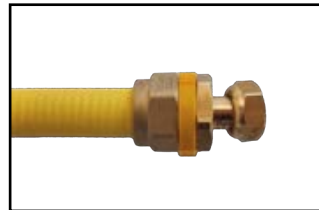
Strip the first 6 waves with a safety knife. It is imperative to respect the number of 6 waves to be stripped.



18



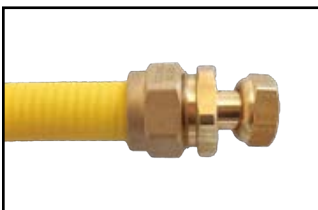
Insert pipe into fitting as far as it will go. Push until the stainless steel part disappears.



Remove the safety ring (yellow) from the fitting.

19

n°32



Tighten the nut by hand, then with a wrench. The nuts are tightened as far as they will go (without any play), the body of the fitting remains fixed.



After testing the watertightness of the installation, the protective coating removed during installation or fitting of the BD CONNECT PLT (BANIDES) kit connector must be restored using the adhesive strips.



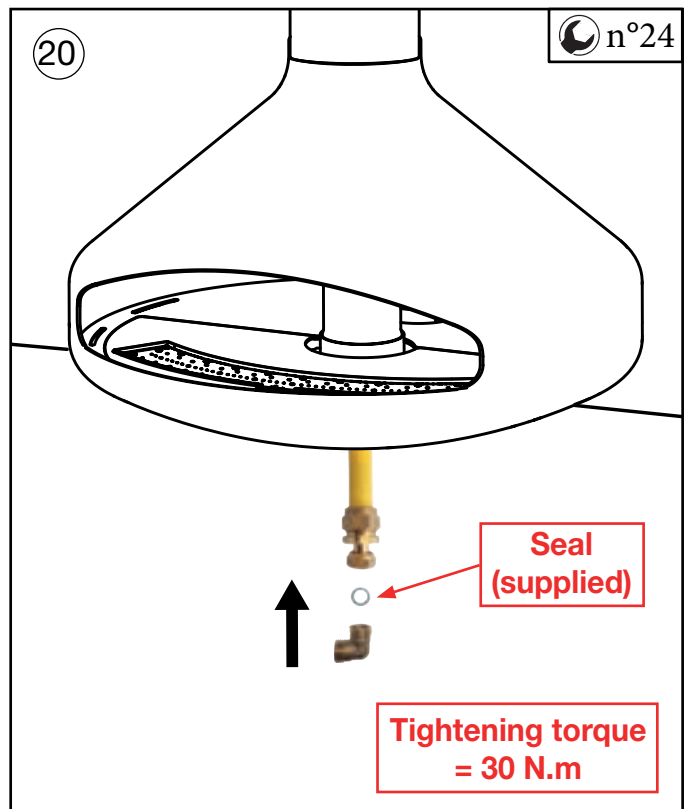
The self-adhesive silicone protection strip is **MANDATORY**.

Flash the QR CODE to see the video video.

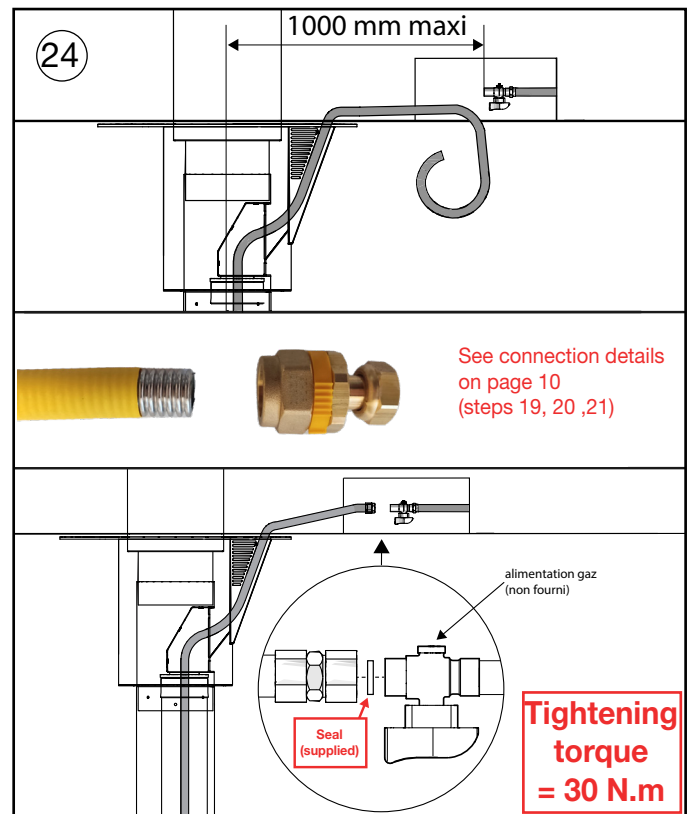
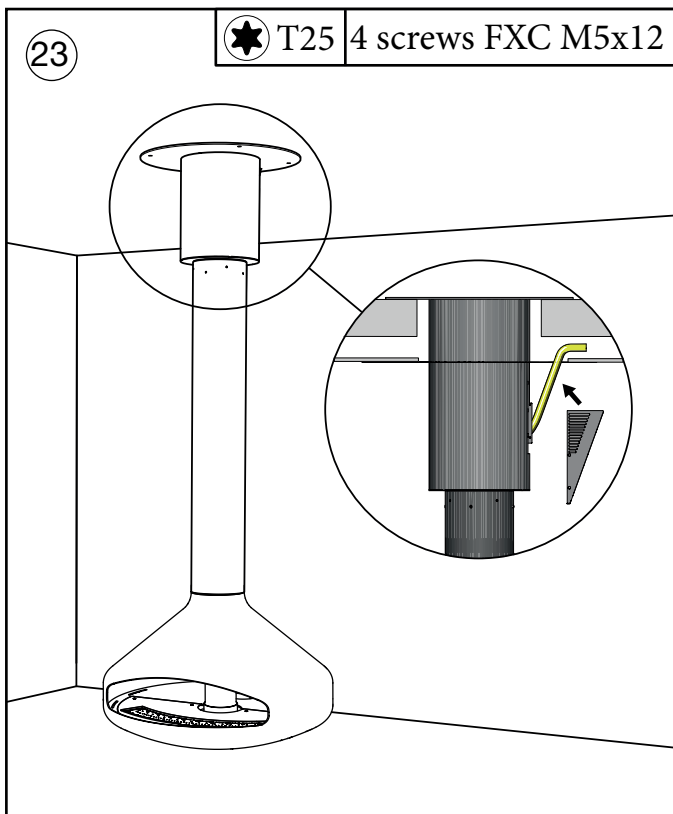
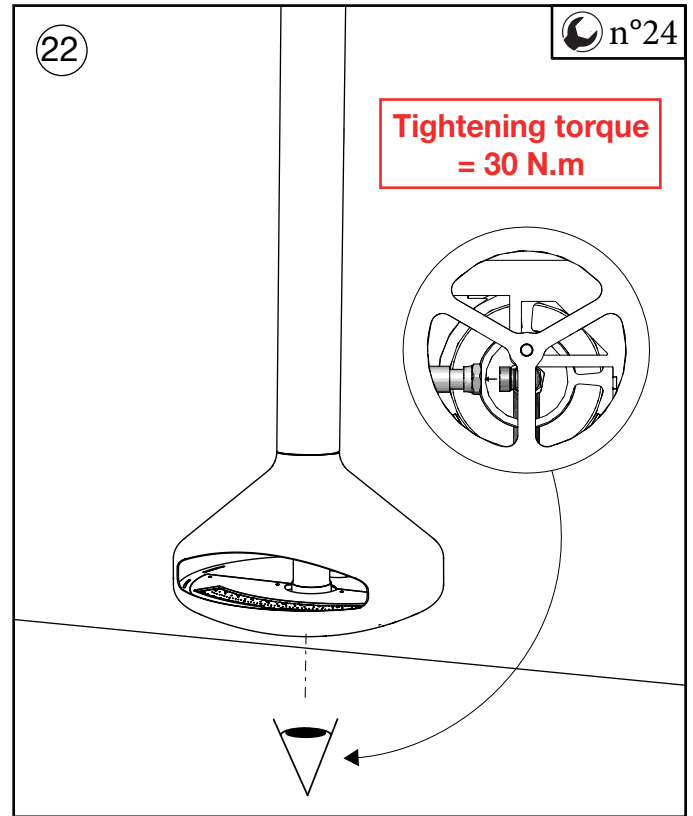
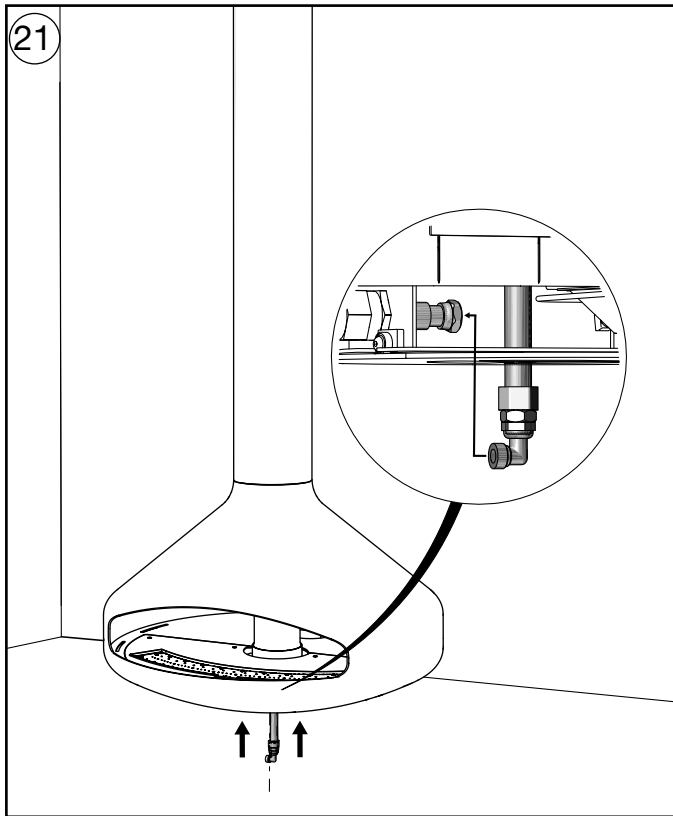


20

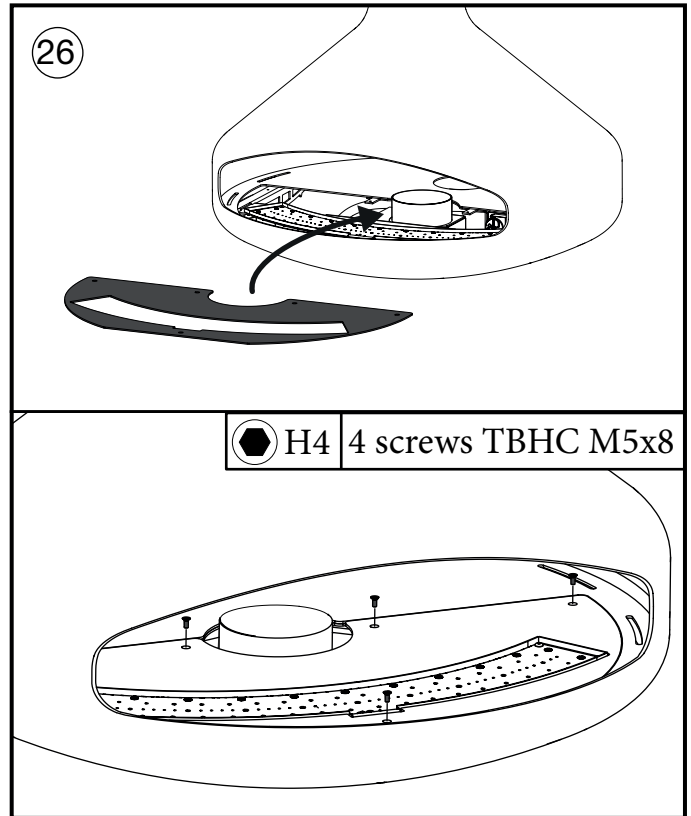
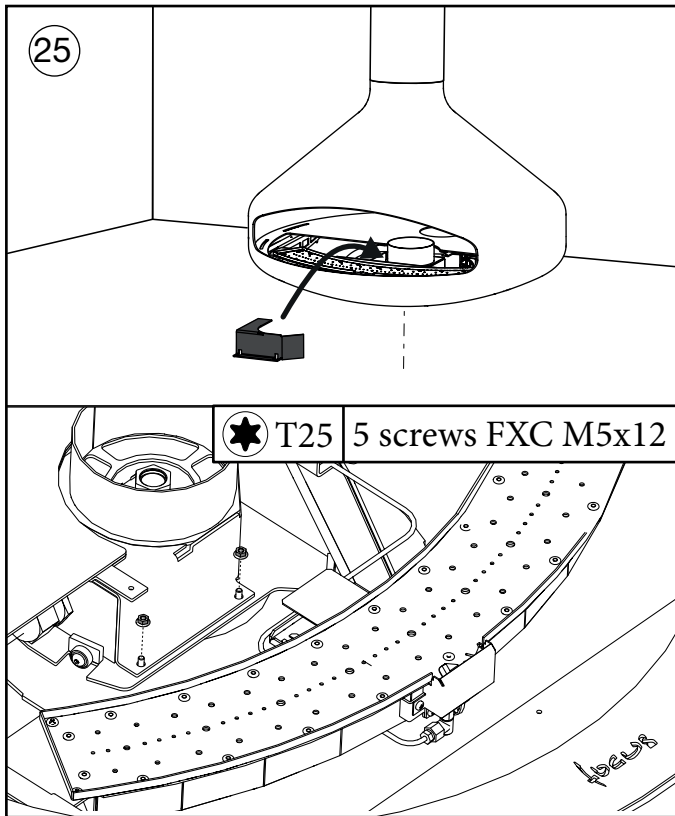
n°24



Installer information



Installer information



Installer information

■ TESTING AND COMMISSIONING

To carry out these operations, you must first remove the casings as described in steps 9 and 10 on page 8.

A. LEAK TEST

Test burner pressures, as described on page 18 (pressures on page 21). Perform a discharge test, as described on page 18.

When the appliance is used for the first time, the coatings on the various parts may smoke. It is therefore advisable to ventilate the room for at least one hour before using the unit for the first time.

Switch on and check that there are no gas leaks from the supply to the burner.

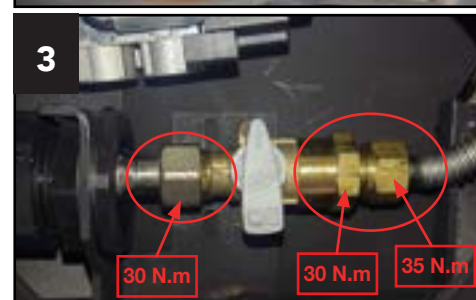
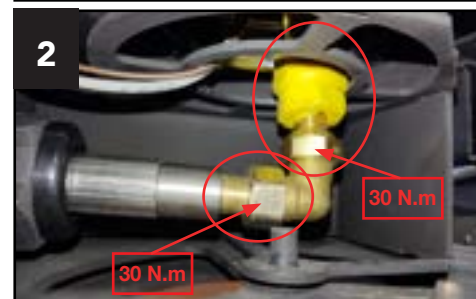
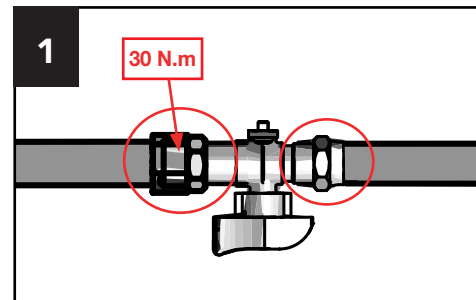
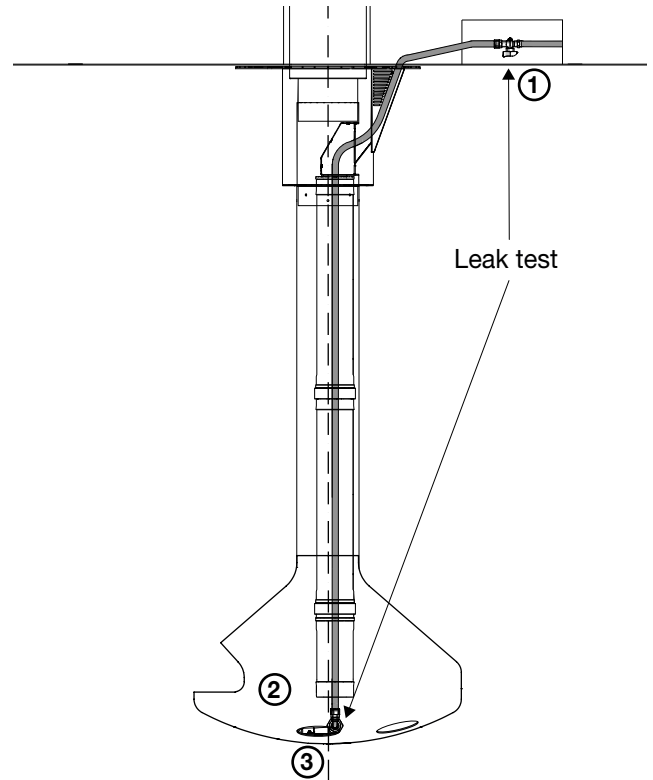
1. Open gas shut-off valves.
2. Apply enough leak test solution to each connection (circled in red on the thumbnails ①, ② and ③ against). Hold a towel or rag under joints to catch any spill-over.
3. If there are leaks, bubbles will appear at the joints. Use a small mirror to see the hidden areas.
 - a. If a leak is detected, tighten the connection to max. torque (labels ①, ② and ③) and repeat the test.
 - b. If the leak persists or if you smell gas, turn off the gas supply to the to the appliance and call a licensed plumber to rectify the problem.
4. After testing, thoroughly rinse all joints with water and dry

▲ WARNING

If you smell gas, turn off the gas at the main valve and call a licensed plumber to test for leaks and fix any problems.

▲ WARNING

Matches, candles, open flame or other sources of ignition should not be used for leak testing.
It is recommended that leak testing be done using non-corrosive gas leak detection fluid.
Dish washing detergent, bath soap or other household chemicals that contain chlorides should not be used..



Installer information

B. PURGE PROCEDURE

Gas circuit purging is not possible when the system is equipped with the exodraft extractor option.



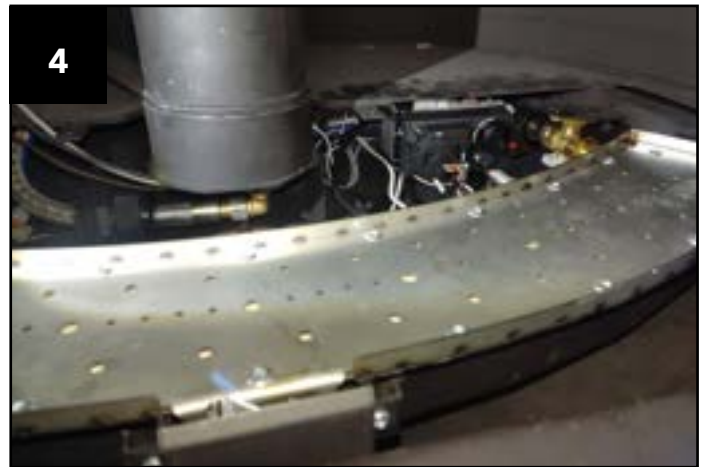
1 Set the knob to MAN.



2 Keep valve depressed.



3 Hold the valve down and use a lighter to check for gas at the pilot. Air will initially escape.



4 When pilot is lit, release valve.
Turn knob back to ON position.
Press the ON/OFF button on the remote control to put out the flame.



These fittings must never be used for venting !



A video on the purging procedure is available by scanning this QR CODE.

Installer information

■ ARRANGING THE CERAMIC FIRE-BED

Only the ceramics supplied with this appliance are to be used. The ceramics must be laid only as shown on the following pages. Replacement parts including mat are available from your dealer, but should only be installed by a qualified installation engineer.

IDENTIFICATION OF INSTALLATION KIT PARTS :



vermiculite black



small pebbles black



mini chips grey



log 1



log 2



log 3



log 4



log 6



log 8



log 5 - 7 - 9

Installer information

①



Scatter the grey chips making sure that no grey chips enter the Pilot area. Lay Log 1 as shown above.

②



Lay Log 2 as shown above.

③



Lay log 3 as shown above.

④



Lay Log 4 as shown above.

⑤



Lay Log 5 as shown above.

⑥



Lay Log 6 as shown above.

Installer information

⑦



Lay Log 7 as shown above.

⑧



Lay Log 8 as shown above.

⑨



Lay Log 9 as shown above.
Scatter black vermiculites, black small pebbles.
The layout is now complete.
Ensure that the Pilot area is still left clear, and check
the correct lighting of the Pilot and that the Pilot cross
lights to the main burner smoothly.

Installer information

■ BURNER PRESSURE

Remove the screw from the pressure test point.
The pressure test point is situated on the side of the gas control.

The setting pressure should be in accordance with the figures stated on page 25 of these instructions. The fire is factory set to achieve these pressures, and any significant variation could indicate a supply problem.

If the pressure is too high, the gas supply meter may be set incorrectly. This should be checked with the fire running and if necessary reset by the gas supplier.

If the pressure is too low, then check the meter governor pressure with the appliance running. If this is incorrect it will need to be reset by the gas supplier. If the setting pressure is too low, but the meter pressure is acceptable, then a problem in the supply pipework is to be suspected. This will be dirt and debris, kinked or inadequate size pipes, restriction in a fitting or solder flashing across a joint.

(NOTE: you will not get an accurate reading of the inlet pressure with a pressure gauge on the end of the supply pipe - this is the static pressure in the system. You must use a T piece and measure the supply pressure with the fire on High - the dynamic pressure). Refit and tighten the screw into the pressure test point when the test is complete.

■ FLUE SPILLAGE MONITORING SYSTEM

This fire is fitted with a flue spillage safety device (ODS). If the fire shuts down during use for no apparent reason then several things may be suspected. If a door or window has been opened creating a draught, then pilot disturbance is the problem, and removal of the draught should resolve this. The gas pressure reaching the fire must also be checked. The thermocouple connection into the back of the gas control valve may also have worked loose during installation, simply tighten to remedy if this is the case.

If pilot disturbance is not the cause, then the ODS safety system may be in operation. Switch the appliance OFF, check the flue and carry out any remedial work required. Relight the fire and carry out a spillage test. DO NOT allow the appliance to be used if it continues to fail a spillage test. The aeration hole of the pilot must be carefully cleaned out on each annual service to ensure continued function of the ODS.

For installation in Germany a TTb is required to be fitted in the Front Top corner of the appliance. This will work in parallel to the ODS system, and will operate under similar circumstances.

The spillage monitoring systems shall not be adjusted, modified, or put out of operation by the installer. Any spare parts fitted MUST be of a type supplied for the purpose by the appliance manufacturer.
If the fire is not spilling, then further guidance should be sought, using the Troubleshooting section as a guide.

■ TESTING FOR SPILLAGE

Close all doors and windows to the room containing the appliance. Let the fire run on HIGH for ten minutes.

Take a smoke match, light it, and using a smoke match tube, hold it at the top edge of the fire opening, 25mm down and 25mm in. Starting 50mm in from either side, run the smoke match across the opening. All the smoke should be drawn away up the flue. Any smoke returning into the room indicates that spillage is occurring. If the initial spillage test fails, run the fire for a further 10 minutes and repeat the test. When the test has been completed satisfactorily, repeat with any extractor fans in the premises running on the highest setting, and any communicating doors open. Finally, repeat with all doors open.

NOTE: If spillage is still indicated after undertaking all of the above, there may be a fault in the flue, or insufficient ventilation is present.

If the problem cannot be rectified immediately, then expert advice should be sought. Inform the user, disconnect the fire, and attach an explanatory label.

■ BRIEFING THE CUSTOMER

All instructions must be handed to the user for safekeeping. Show the customer how to light and control the fire.

After commissioning the appliance, the customer should be instructed on the safe use of the appliance and the need for regular servicing. Frequency of service depends on usage, but MUST be carried out at least once annually

Installer information

■ SERVICING INSTRUCTIONS

This appliance must be serviced at least annually by a qualified engineer.

Ensure that the fire is fully cold before attempting service. A suggested procedure for servicing is detailed below.

1. Lay out the dust sheet and tools.
2. Inspect the area around the top of the fireplace opening for signs of spillage.
3. Carefully remove the ceramic components. Use a soft brush to clean off ceramics, the use of a vacuum cleaner directly on the ceramics is not recommended. Replace any broken ceramics.
4. Carefully remove the cover, clean the cover and the top of the burner, a vacuum cleaner and brush may be used.
5. Isolate the gas supply at the appliance inlet, and disconnect the gas supply pipe.
6. Remove the screws securing the burner to the hearth.
7. Remove the burner unit from the fireplace opening.
6. Check the base of the fireplace opening for rubble accumulation and remove. If debris is excessive, initiate remedial work on the flue.
7. Check the flue with smoke pellet for correct operation.
8. Clean out the injector and pilot assembly. DO NOT attempt to dismantle the pilot unit.
9. Ensure the injector is aligned squarely in the injector bracket. Re-assemble and re-fit the burner tray.
10. Re fit and replace the ceramics, using genuine spares where necessary.
11. Turn on the gas supply, and leak test.
12. Check any purpose provided ventilation is un-obstructed.
13. Light the fire and test for spillage.
14. Check setting pressure and safe operation of the appliance.

■ SPARE PARTS

Burner, Curve Natural
Burner, Curve LPG
Pilot Natural (ODS)
Pilot LPG (ODS)
Injector Natural (Stereomatic Marking, 1200)
Injector LPG (Stereomatic Marking - 400)
Control Valve (Mertik GV60)
Full Control Remote Symax

To replace these items, follow the procedure listed in the servicing instructions above.

■ TROUBLESHOOTING

Pilot sparks but does not light –

No gas to fire, check isolators are open.
Pipework blockage, clean out.
Air not fully purged, repurge supply or wait longer.
Spark earthing to metal work, reset gap correctly.
Check for spilled ceramics in pilot area.
Blocked pilot, clean out internally.

Pilot lights but then goes out –

Severe restriction in gas supply, clear obstruction.
Faulty thermocouple, replace pilot unit.
Hold control knob in for longer.
Check control knob does not foul control plate.

Fire does not spark at pilot –

Ignition cable detached, refit.
Spark gap too large or small, reset correctly.
Faulty oxypilot unit, replace.
Debris shorting out electrode, clean.

Fire runs for a time and then cuts off –

Excessive room draught or flue pull, rectify.
Loose or faulty thermocouple, rectify.
ODS system in operation.
Lint in pilot aeration hole, clean thoroughly internally

Pilot flame shrinks when fire is on high –

Poor gas flow to fire, check pressure with fire on high.
If pressure is low, remove any restriction in pipework or valve.
Check all isolators are adequately sized and fully open.
Check meter pressure is adequate.
Lint in pilot aeration hole, clean thoroughly internally.

Fire smells when first lit or in use –

Newness smell from brand new appliance.
Spillage occurring. Carry out spillage test and rectify any problems.
Low temperature sealants or combustible materials used in incorrect positions.

Installer information

■ COUNTRIES OF DESTINATION

The following tables gives detail of the Countries that these appliances are approved for use within. The tables following immediately on give the technical characteristics of the appliances.

Contry	Natural	LPG
AT -Austria	I2H G20 at 20 mbar	I3B/P G30/G31 at 50 mbar
BE -Belgium	I2E+ G20/G25 at 20/25 mbar	I3+ G30/G31 at 28-30/37 mbar
CH - Switzerland	I2H G20 at 20 mbar	I3+ G30/G31 at 28-30/37 mbar; I3B/P G30/G31 at 50 mbar
CY -Cyprus		I3B/P G30/G31 at 30 mbar
CZ -Czech Republic	I2H, G20 at 20 mbar	I3+ G30/G31 at 28-30/37 mbar; I3B/P G30/G31 at 50 mbar
DE -Germany	I2ELL G20/G25 at 20 mbar; I2E G20 at 20 mbar	I3B/P G30/G31 at 50 mbar
DK -Denmark	I2H G20 at 20 mbar	I3B/P G30/G31 at 30 mbar
EE -Estonia	I2H G20 at 20 mbar	I3B/P G30/G31 at 30 mbar
ES -Spain	I2H G20 at 20 mbar	I3+,G30/G31 at 28-30/37 mbar
FI -Finland	I2H G20 at 20 mbar	I3B/P G30/G31 at 30 mbar
FR -France	I2E+ G20/G25 at 20/25 mbar	I3+ G30/G31 at 28-30/37 mbar; I3B/P G30/G31 at 30 mbar
GB -United Kingdom	I2H G20 at 20 mbar	I3+,G30/G31 at 28-30/37 mbar; I3B/P G30/G31 at 30 mbar
GR -Greece	I2H G20 at 20 mbar	I3+,G30/G31 at 28-30/37 mbar; I3B/P G30/G31 at 30 mbar
HU -Hungary		I3B/P G30/G31 at 30 mbar
HR -Croatia	I2H G20 at 20 mbar	I3B/P G30/G31 at 30 mbar
IE -Ireland	I2H G20 at 20 mbar	I3+ G30/G31 at 28-30/37 mbar
IT -Italy	I2H G20 at 20 mbar	I3+ G30/G31 at 28-30/37 mbar
LT -Lithuania	I2H G20 at 20 mbar	I3B/P G30/G31 at 30 mbar
LU -Luxembourg	I2E G20 at 20 mbar	
LV -Latvia	I2H G20 at 20 mbar	
MT -Malta		I3B/P G30/G31 at 30 mbar
NL -The Netherlands	I2L G25 at 25 mbar	I3B/P G30/G31 at 30 mbar
NO -Norway	I2H G20 at 20 mbar	I3B/P G30/G31 at 30 mbar
PL -Poland	I2E G20 at 20 mbar	
PT -Portugal	I2H G20 at 20 mbar	I3+ G30/G31 at 28-30/37 mbar
RO -Romania	I2E G20 at 20 mbar	I3P G30/G31 at 30 mbar
SE - Sweden	I2H G20 at 20 mbar	I3B/P G30/G31 at 30 mbar
SL -Slovenia	I2H G20 at 20 mbar	I3B/P G30/G31 at 30 mbar
SK -Slovakia	I2H G20 at 20 mbar	I3+ G30/G31 at 28-30/37 mbar; I3B/P G30/G31 at 50 mbar
TR -Turkey	I2H G20 at 20 mbar	I3B/P G30/G31 at 30 mbar

Installer information

■ TECHNICAL DATA

PIN: 2575DO34681

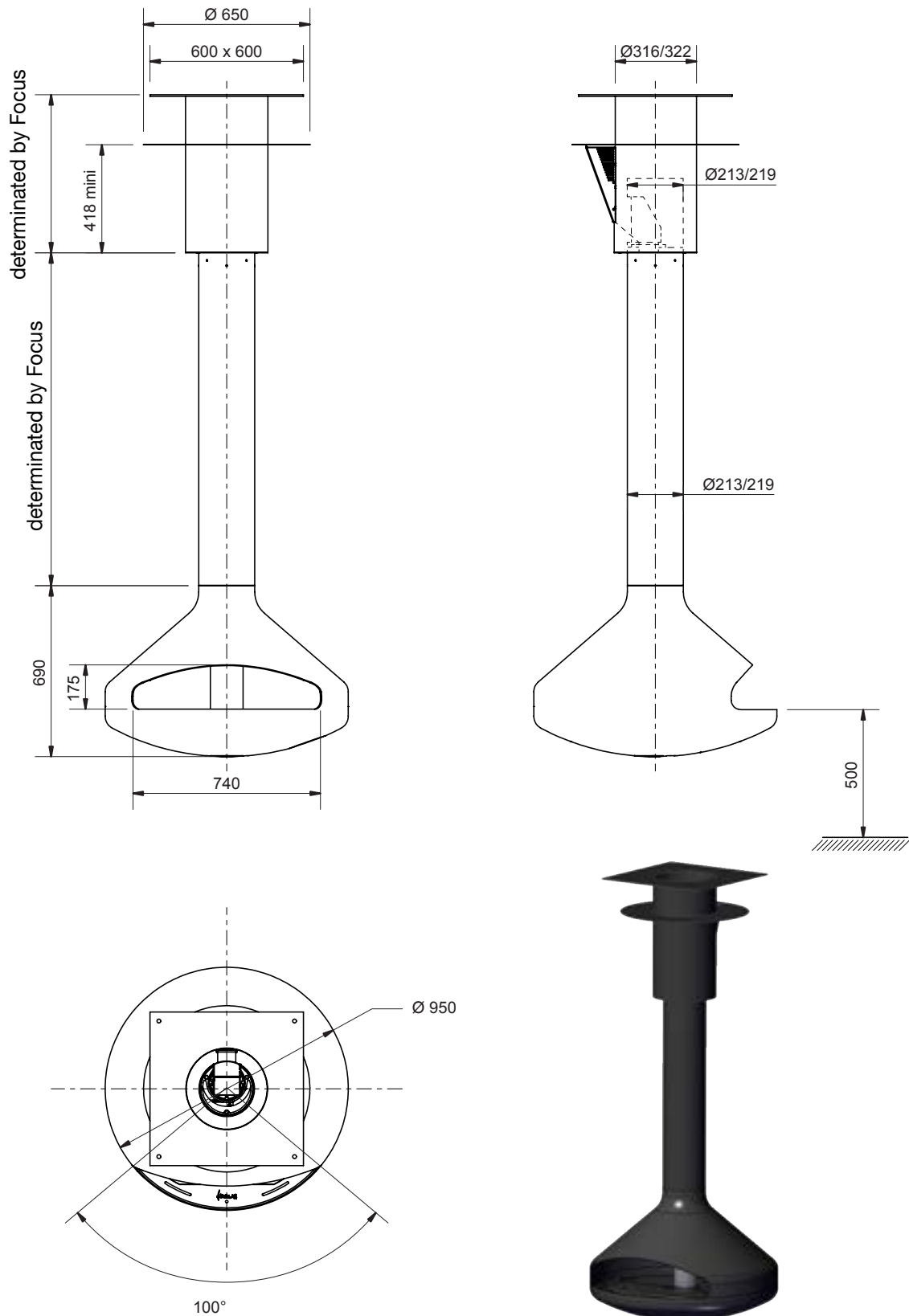
Natural					
Gas Category	I2H	I2E	I2E+	I2L/I2EK	I2ELL
Gas	G20	G20	G20/G25	G25	G20/G25
Supply Pressure (mbar)	20	20	20/25	25	20
Pilot Burner	SIT 9043				
Nominal Input (Gross kW)	13.5	13.5	13.5/12.2	12.2	13.5/10.9
Gas Rate (Max. m ³ /hr)	1.26	1.26	1.26/1.35	1.35	1.26
Burner Pressure (Hot mbar)	16.5	16.5	16.5/22	22	16.5
Burner Injector	1 No. Stereomatic Marking - 1200				

LPG			
Gas Category	I3B/P	I3B/P	I3+
Gas	G30/G31	G30/G31	G30/G31
Supply Pressure (mbar)	30	50	28-30/37
Pilot Burner	SIT 9228		
Nominal Input (Gross kW)	13		
Gas Rate (Max. m ³ /hr)	0.373		
Burner Pressure (Hot mbar)	28		
Burner Injector	1 No. Stereomatic Marking - 400		

Appliance mass : 85 kg

Installer information

■ TECHNICAL DETAILS



User instructions

■ TYPE DE BATTERIE

Récepteur : 4 x 1,5V "AA", taille R6.

Télécommande : 2 x 1,5V "AAA" (Alcaline uniquement).

■ Système de contrôle de l'étanchéité

Ce brûleur est équipé d'un dispositif de sécurité interne permettant de détecter d'éventuels refoulements. Si le brûleur s'éteint sans raison apparente pendant l'utilisation, plusieurs éléments peuvent être en cause. Si une porte ou une fenêtre a été ouverte générant un courant d'air, la perturbation de la veilleuse en est alors la cause, et l'élimination de ce courant d'air devrait résoudre le problème.

Si l'appareil est éteint par le dispositif de sécurité, l'appareil peut être re-allumé après 3 minutes au moins. L'appareil doit d'abord être éteint (position OFF), avant d'être re-allumé comme décrit dans les pages suivantes.

Si le dispositif de sécurité ne cesse d'allumer et d'éteindre l'appareil, il est conseillé d'éteindre l'appareil (position OFF), de ne plus l'utiliser et d'appeler un technicien qualifié.

■ INSTRUCTIONS D'UTILISATION

A. NOTES GENERALES

INDICATION

Le câblage du bloc gaz et du récepteur doit être terminé avant de démarrer l'allumage. Tout non-respect peut endommager les composants électroniques.

Piles – Télécommande

- Indicateur de pile déchargé sur les télécommandes avec écran.

Piles – Récepteur

- Indication de pile déchargée: bip fréquent pendant 3 secondes lorsque le moteur tourne.
- Un adaptateur principal à CA peut être utilisé au lieu de piles.
- Le module de commande de la vitesse du ventilateur et l'éclairage/ variateur comprennent ensemble une alimentation principale avec des piles dans la réserve automatique en cas de panne de tension.



▲ AVERTISSEMENT

- Sans utiliser d'adaptateur, le remplacement de la pile est recommandé au début de chaque saison de chauffage.
- Retirer immédiatement les batteries usagées ou déchargées. Les batteries restant dans l'unité peuvent surchauffer, fuir et/ou exploser.
- Ne PAS exposer les batteries aux rayons directs du soleil, à une chaleur excessive, au feu, à l'humidité ou à des chocs violents (y compris pendant leur stockage). Les batteries risquent en effet de surchauffer, de fuir et/ou d'exploser.
- Ne pas utiliser conjointement des batteries usagées et nouvelles et différentes marques de batteries. Risque de surchauffe, de fuite et/ou d'explosion.

Version logiciel

Presser simultanément les boutons  et . La version Logiciel s'affiche.

Numéro de modèle télécommande

Presser simultanément les boutons  et . Le modèle télécommande s'affiche.

■ Désactivation de fonctions

1. Installer les batteries. Toutes les icônes s'affichent et clignotent.
2. Lorsque les icônes clignotent, presser et maintenir le bouton de fonction correspondant pendant 10 sec.
3. L'icône de fonction clignote alors jusqu'à ce que la désactivation soit terminée. La désactivation est achevée quand l'icône de fonction et deux barres horizontales s'affichent.

NOTE : Aucune fonction et deux barres horizontales ne s'affichent lorsqu'un bouton désactivé est pressé.

NOTE : La désactivation reste effective après le changement de batteries.

■ Activation des fonctions

1. Installer les batteries. Tous les icônes sont affichés et clignotent.
2. Pour activer une fonction, presser le bouton correspondant pendant 10 sec.
3. L'icône de fonction continue de clignoter jusqu'à ce que l'activation soit achevée. L'activation est terminée quand l'icône de fonction s'affiche.

Les fonctions suivantes peuvent être désactivées/activées

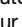
- SÉCURITÉ ENFANTS
- MODE PROGRAMME
- MODE THERMOSTATIQUE (désactive aussi le MODE PROGRAMME)
- MODE ECO
- MINUTERIE

B. PARAMETRAGE DU CODE ELECTRONIQUE (1ÈRE UTILISATION UNIQUEMENT)

Télécommande fréquence radio

Un code est automatiquement sélectionné pour toutes les parties électroniques Mertik Maxitrol (parmi 65.000 codes disponibles). Le récepteur doit être couplé avec la télécommande.

Le récepteur doit enregistrer le code de la télécommande :

Appuyer sur le bouton RESET du récepteur jusqu'à ce que deux (2) bips retentissent. Après le second bip, plus long, relâcher le bouton RESET. Dans les 20 secondes suivantes, appuyer sur le bouton  sur la télécommande, jusqu'à ce que deux bips brefs retentissent, confirmant que le code est réglé.

NOTE : Ce réglage est unique et il n'est pas nécessaire en cas de remplacement des piles dans la télécommande ou le récepteur.

User instructions

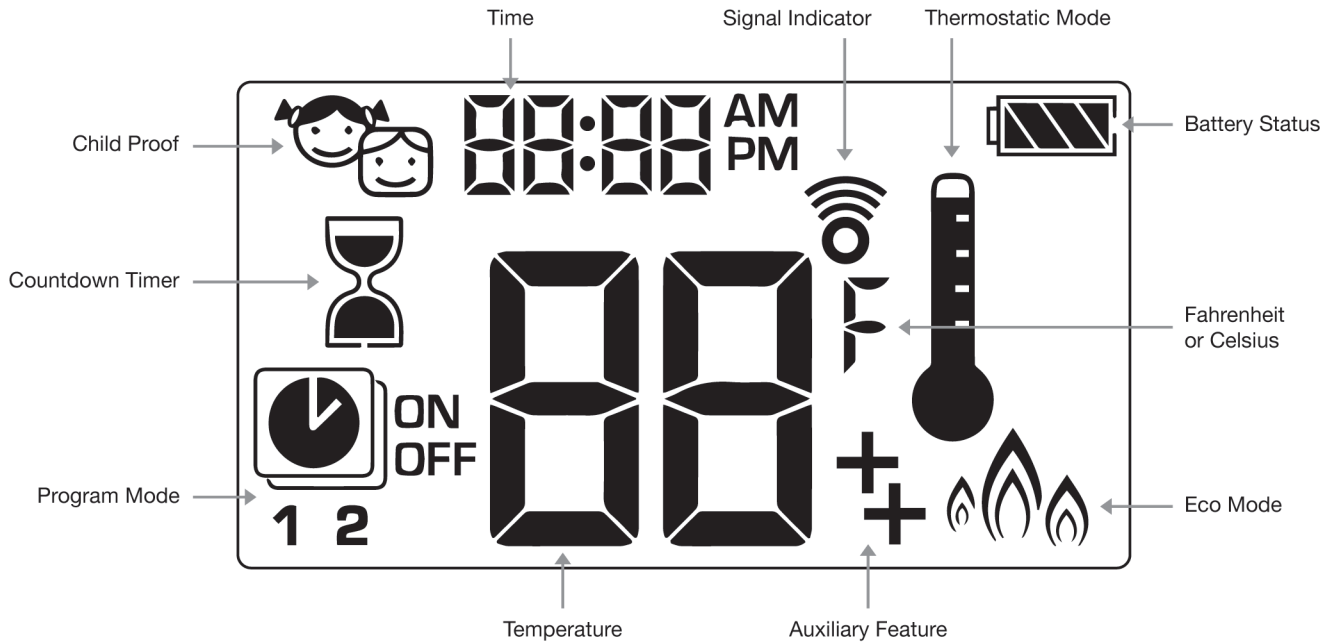


Figure 01: 8-symbol Display

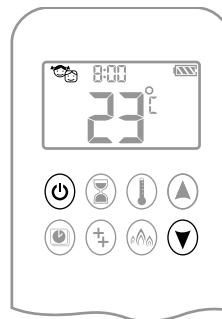
C. . SETTING FAHRENHEIT OR CELSIUS



To change between °C and °F, press and buttons simultaneously.

NOTE: Choosing °F results in a 12 hour clock.
Choosing °C results in a 24 hour clock.

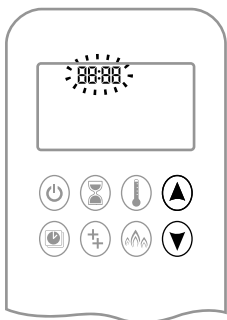
E. CHILD PROOF



ON:
To activate press and buttons simultaneously. displayed and the handset is rendered inoperable, except for the off function.

OFF:
To deactivate press and buttons simultaneously. disappears.

D. SETTING THE TIME



1. Press and buttons simultaneously. Day flashes.
2. Press or button to select a number to correspond with the day of the week (e. g. 1 = Monday, 2 = Tuesday, 3 = Wednesday, 4 = Thursday, 5 = Friday, 6 = Saturday, 7 = Sunday).
3. Press and buttons simultaneously. Hour flashes.
4. To select hour press or button.
5. Press and buttons simultaneously. Minutes flash.
6. To select minutes press or button.
7. To confirm press and buttons simultaneously or wait.

F. MANUAL MODE (HANDSET)

NOTICE

BEFORE OPERATING

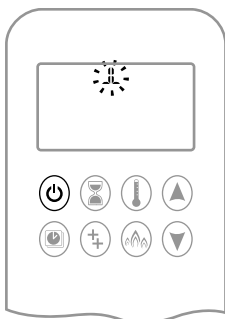
- 1 Make sure MANUAL knob on the GV60 valve is in the **ON**, full counterclockwise position.
2. Place the ON/OFF switch (if equipped) in the **I (ON)** position.

TO TURN ON FIRE

▲ WARNING

When pilot ignition is confirmed, motor turns automatically to maximum flame height.

User instructions



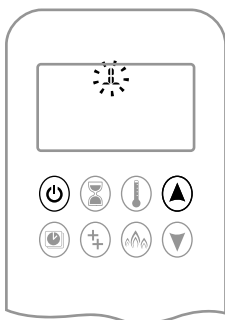
Handset One-Button Operation

(Default Setting)

- Press button until two short beeps and a blinking series of lines confirms the start sequence has begun; release button.
- Main gas flows once pilot ignition is confirmed.
- Handset automatically goes into Manual Mode after main burner ignition.

NOTICE

Change from one-button to two-button ignition operation by pressing and holding button for 10 sec. immediately after installing batteries. **ON** is displayed and **1** is flashing. When change is complete **1** will change to **2**.



Handset Two-Button Operation

- Press and button simultaneously until two short beeps and a blinking series of lines confirms the start sequence has begun; release buttons.
- Main gas flows once pilot ignition is confirmed.
- Handset automatically goes into Manual Mode after main burner ignition.

NOTICE

Change from two-button to one-button ignition operation by pressing and holding button for 10 sec. immediately after installing batteries. **ON** is displayed and **2** is flashing. When change is complete **2** will change to **1**.

▲ WARNING

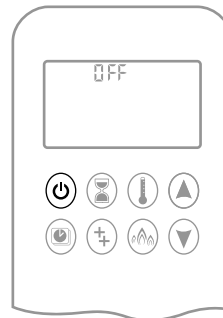
If the pilot does not stay lit after several tries, turn the main valve knob to OFF (p. 09).

STANDBY MODE (PILOT FLAME)

Handset

- Press and hold button to set appliance to pilot flame.

TO TURN OFF FIRE

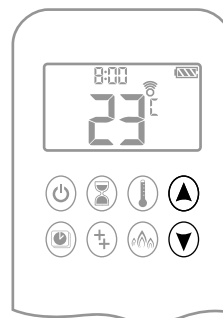


Handset

- Press button to turn OFF.

NOTE: A new ignition is possible after the OFF icon stops flashing.

FLAME HEIGHT ADJUSTMENT

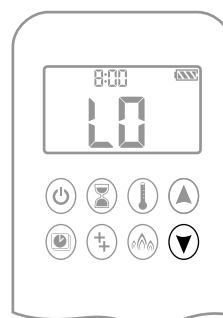


Handset

- To increase flame height press and hold button.
- To decrease flame height or to set appliance to pilot flame, press and hold button.

G. DESIGNATED LOW FIRE AND HIGH FIRE

NOTE: Backlight must be on for high fire and low fire double-click operation.



- To go to low fire, double-click button. **L0** is displayed.

NOTE: Flame goes to high fire first before going to low fire.



- To go to high fire, double-click button. **H1** is displayed.

▲ WARNING

If the appliance will not operate, turn the main valve knob to OFF (p. 09).

User instructions

H. COUNTDOWN TIMER



ON/SETTING:
 1. Press and hold button until displayed, and hour flashes.
 2. To select hour press or button.
 3. To confirm press button. Minutes flash.
 4. To select minutes press or button.
 5. To confirm press button or wait.

OFF:
 Press button, and countdown time disappear.

NOTE: At end of countdown time period, the fire shuts off. The Countdown Timer only works in Manual, Thermostatic, and Eco Modes. Maximum countdown time is 9 hours and 50 minutes.

I. MODES OF OPERATION

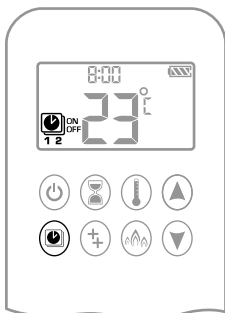
I Thermostatic Mode

The room temperature is measured and compared to the set temperature. The flame height is then automatically adjusted to achieve the set temperature.



Program Mode

PROGRAMS 1 and 2, each can be programmed to go on and off at specific times at a set temperature.



Eco Mode

Flame height modulates between high and low. If the room temperature is lower than the set temperature, the flame height stays on high for a longer period of time. If the room temperature is higher than the set temperature, the flame height stays on low for a longer period of time. One cycle lasts approx. 20 min.

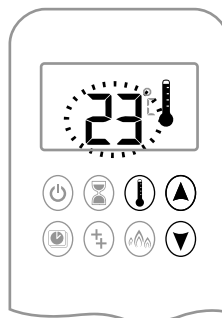


J. THERMOSTATIC MODE



ON:
 Press button. displayed, preset temperature displayed briefly, and then room temperature displayed.

OFF:
 1. Press button.
 2. Press or button to enter Manual Mode.
 3. Press button to enter Program Mode.
 4. Press button to enter Eco Mode..

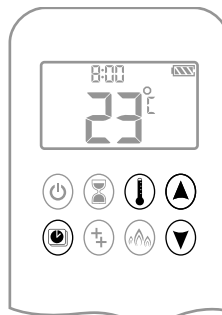


SETTING:
 1. Press button and hold until displayed, temperature flashes.
 2. To adjust set temperature press or button.
 3. To confirm button or wait.

K. PROGRAM MODE



ON:
 Press button, , 1 or 2, **ON** or **OFF** displayed.



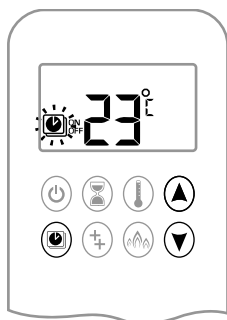
OFF:
 1. Press or or button to enter Manual Mode.
 2. Press button to enter Thermostatic Mode.

NOTE: The set temperature for Thermostatic Mode is the temperature for the on time in Program Mode. Changing the Thermostatic Mode set temperature also changes the on time temperature in Program Mode.

User instructions

Default settings:

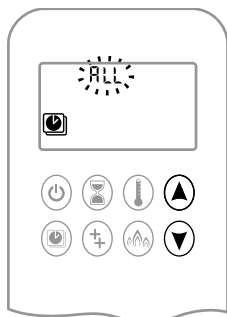
ON TIME (Thermostatic) TEMPERATURE: 21 °C (70 °F) OFF TIME TEMPERATURE: “--” (pilot flame only)



TEMPERATURE SETTING:

1. Press button and hold until flashes. **ON** and set temperature (setting in Thermostatic Mode) displayed.
2. To continue press button or wait. , **OFF** displayed, temperature flashes.
3. Select off temperature by pressing the or button.
4. To confirm press button.

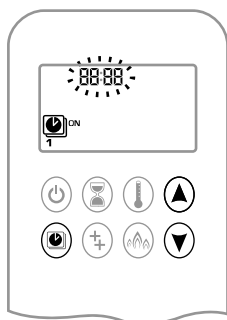
NOTE: The on (Thermostatic) and off set temperatures are the same for each day.



DAY SETTING:

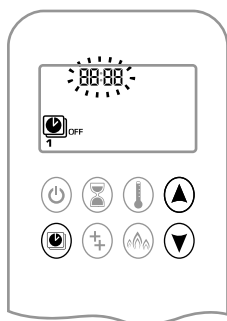
5. RLL flashes, Press or button to choose between RLL, 5R5U, 1, 2, 3, 4, 5, 6, 7.
6. To confirm press button.

RLL selected



ON TIME SETTING (PROGRAM 1):

7. , **1**, **ON**, displayed RLL s displayed shortly, and hour flashes.
8. To select hour, press or button
9. To confirm press button . , **1**, **ON** displayed, RLL displayed shortly, and minutes flash.
10. To select minutes press or button.
11. To confirm press button.



OFF TIME SETTING (PROGRAM 1):

12. , **1**, **OFF** displayed, RLL is displayed shortly, and hour flashes.
13. To select hour, press or button.
14. To confirm press button. , **1**, **OFF** displayed, RLL displayed shortly, and minutes flash.
15. To select minutes press or button.
16. To confirm press button.

NOTE: Either continue to PROGRAM 2 and set on and off times or stop programming at this point, and PROGRAM 2 remains deactivated.

NOTE: PROGRAM 1 and 2 use the same on (Thermostatic) and off temperatures for RLL, 5R5U and Daily Timer (1, 2, 3, 4, 5, 6, 7). Once a new on (Thermostatic) and / or off temperature has been set, that temperature becomes the new default setting.

NOTE: If RLL, 5R5U or Daily Timer are programmed for PROGRAM 1 and PROGRAM 2 on and off times, these become the new default times. The batteries must be removed to clear the PROGRAM 1 and PROGRAM 2 on and off times and temperatures.

5R5U or Daily Timer (1, 2, 3, 4, 5, 6, 7) selected

- Set on time and off time using same procedure as "RLL selected" (above).
- 5R5U : Set on time and off time for both Saturday and Sunday.
- Daily Timer: Unique on and off times may be set for a single day of the week, for multiple days of the week, or for every day of the week.
- Wait to finish setting.

L. ECO MODE



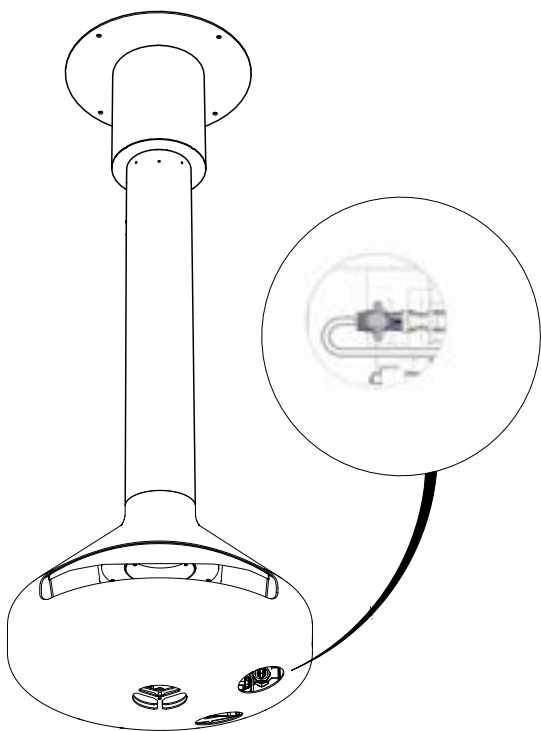
ON:
Press button to enter Eco Mode. displayed.

OFF:
Press button disappears.

User instructions

■ MANUAL TURN OFF

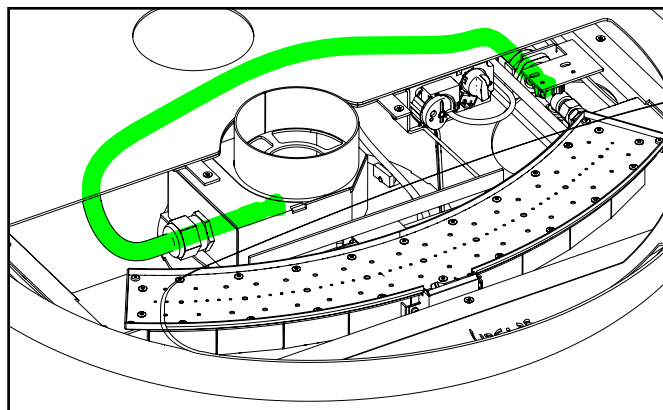
When the appliance needs to be switched off manually, for example if the remote control has been lost or the batteries are flat, close the gas shut-off valve located under the fireplace (see picture below).



■ CLEANING AND MAINTENANCE

This appliance should be inspected and serviced once a year by a qualified, competent and registered person. The inspection and maintenance must at least ensure that the appliance is working correctly and safely. It is advisable to clean the appliance of any dust and debris before regularly during the heating season and especially if the appliance has not been used for some time. This can be done with a soft brush and a vacuum cleaner or a damp cloth and if required a non-abrasive cleaning agent. Do not use corrosive or abrasive substances to clean the appliance.

The stainless steel hose inside the heater should be replaced every 20 years (stainless steel hose shown below).



Appendix

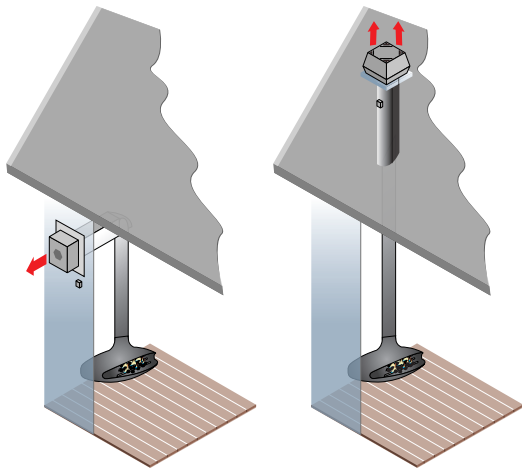
■ EXODRAFT EXTRACTOR OPTION

A. GENERAL INFORMATION

WARNING

- All electrical wiring must be carried out by a qualified electrician in accordance with national regulations.
- Before proceeding with the installation, check that you have all the necessary equipment.

The Exodraft extractor gives you the freedom to position the flue outlet vertically or horizontally, and constant control of sufficient draught in the flue.



B. SUPPLIES

1 Extractor

The exodraft extractors we recommend are specially designed to work with open gas fireplaces such as the Gyrofocus gas. They are fitted with a pressure sensor to ensure that no smoke is discharged into the home.



2 Isolation switch

The isolation switch, fitted close to the extractor, cuts the power supply to the extractor during maintenance operations.



3 Gas solenoid valve (SMG)

The gas solenoid valve, controlled by the EFC21 controller, enables gas supply only when the flue is sufficiently drafted.



Appendix

4 EFC21 controller

The EFC21 controller is the system element that controls the extractor, solenoid valve and motorized dampers.



5 High-temperature silicone cable (Customized cable length to PCB output)

HT silicone cable is supplied to extend the relay cable to the board output.



6 Relay cable

The relay cable transmits the system start command to the EFC21 controller.



C. MATERIALS REQUIRED (NOT SUPPLIED)

2 to 4 : Cable 6x1.5°

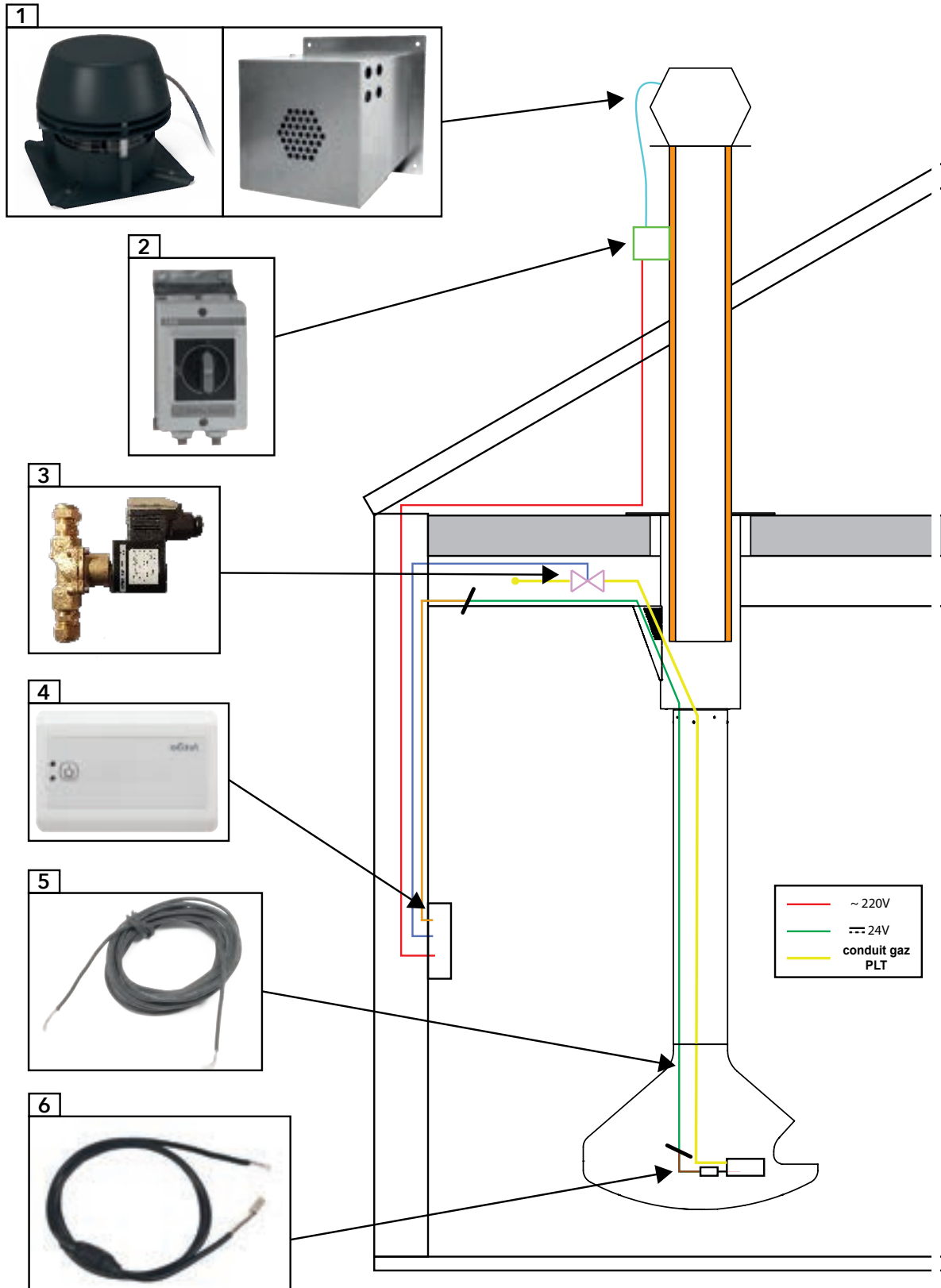
3 to 4 : Cable 3x1.5°

Supply to 4 : Cable 3x1.5°

6 to 4 : Cable 2x1.5°

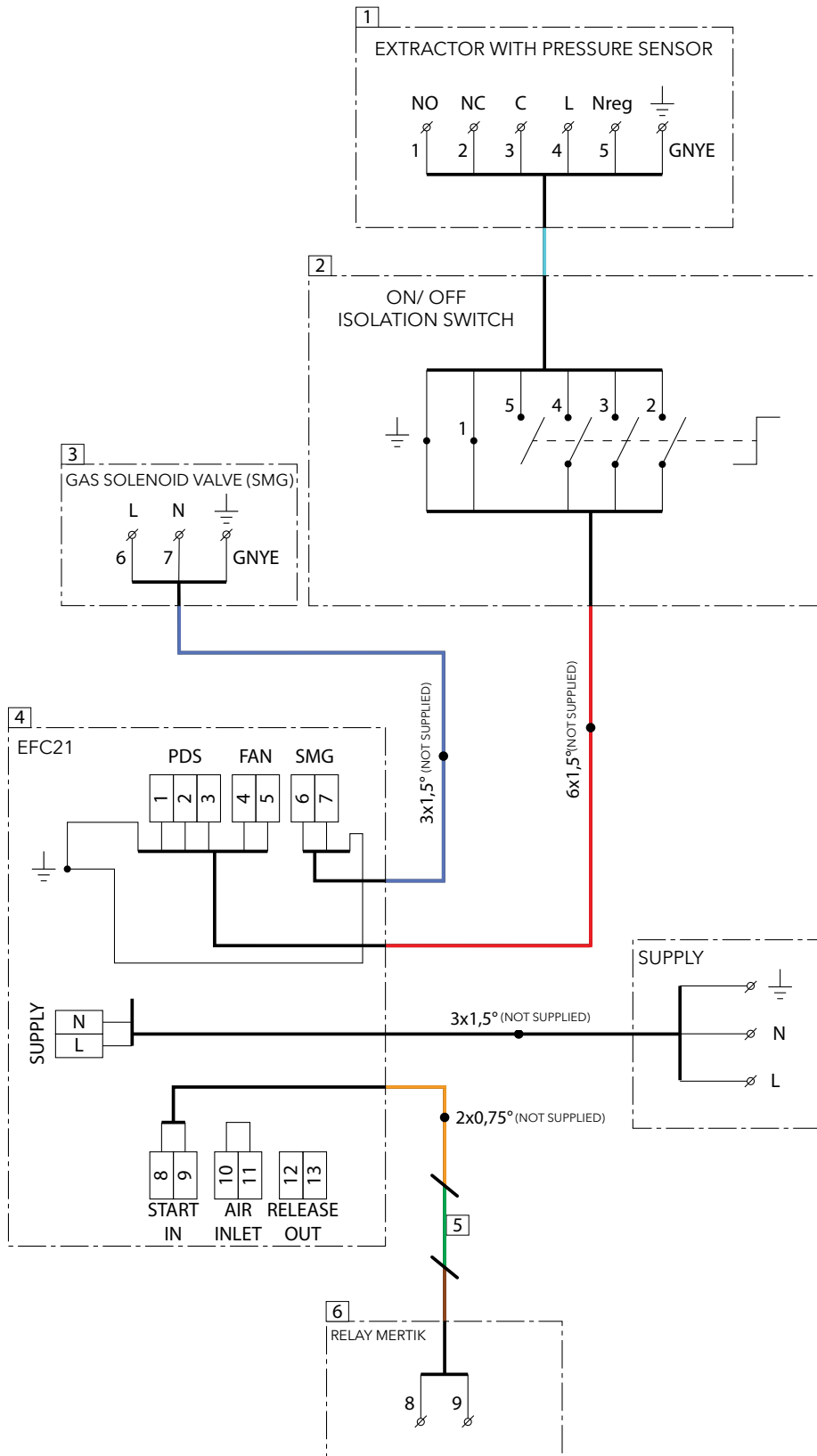
Appendix

D. SCHÉMA D'INSTALLATION



Appendix

E. WIRING DIAGRAM



Appendix

F. EXTRACTOR CONNECTION

Install the extractor and its plate on the flue pipe. For mounting the extractor plate, please refer to the extractor documentation.



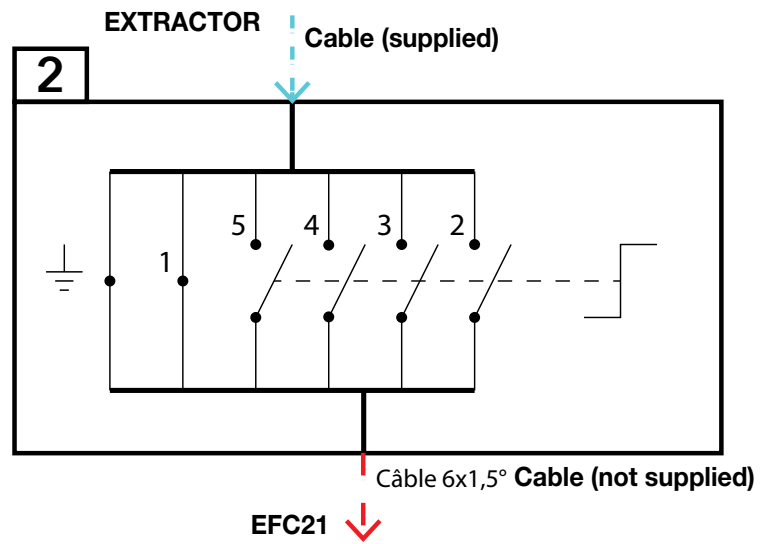
G. SWITCH INSTALLATION

Install the switch close to the extractor using the four self-drilling screws supplied. Pay attention to cable length !



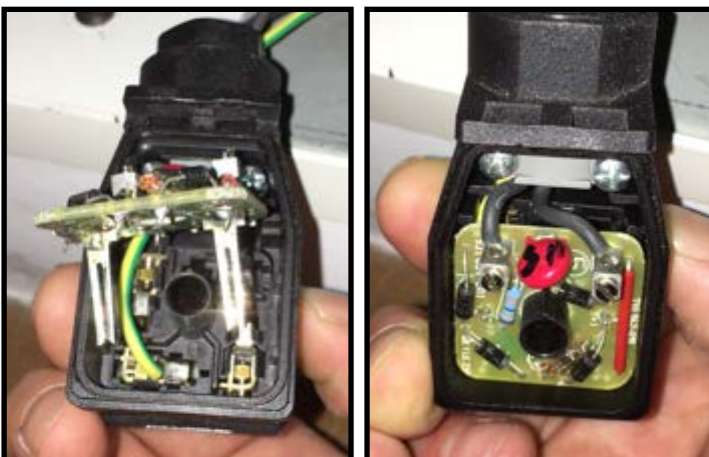
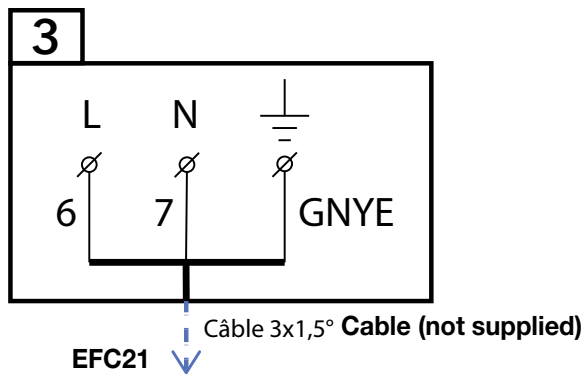
Wire the switch according to the electrical diagram below.

Appendix



H. SOLENOID VALVE INSTALLATION

Install the solenoid valve on the gas supply line between the gas supply shut-off valve and the firebox control board. Wire the solenoid valve (photo below) according to the wiring diagram below.

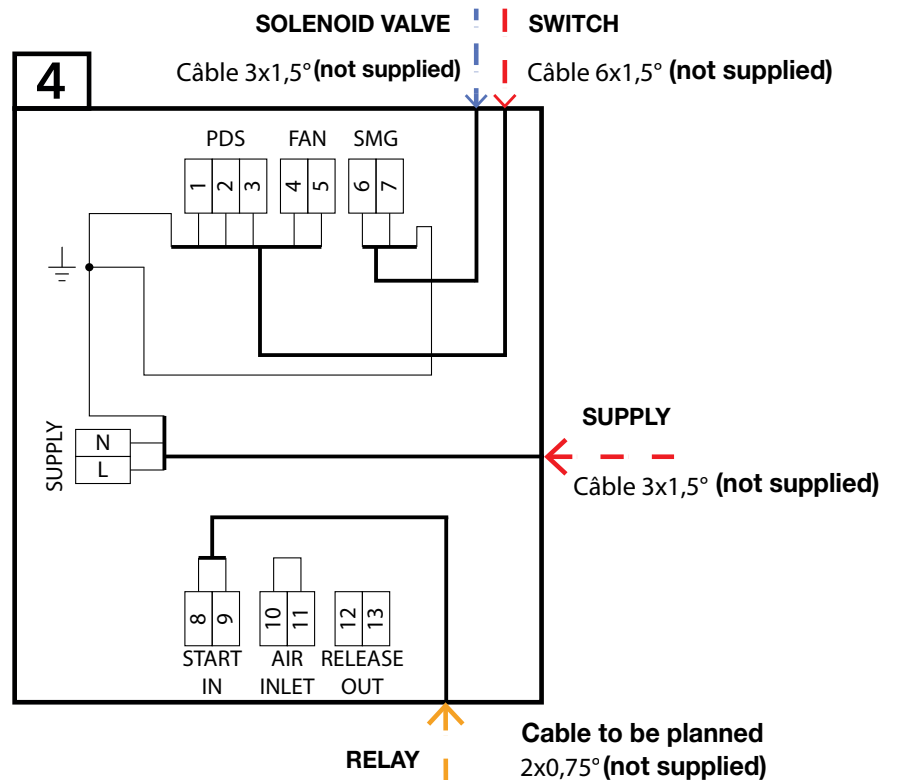


! The phase and neutral cables must be connected to the be connected to the electronic board terminals.

Appendix

I. EFC21 INSTALLATION

Install the EFC21 box in an accessible area.
Connect the EFC21 (photo below) following the steps below.



J. RELAY CABLE INSTALLATION

Open the inside cover and inner housing. .

Caution: Pass the high-temperature cable through the cable gland. (See photo A).

Next, connect the High Temperature and Relay cables. (See photo C).

Finally, connect the relay cable to the receiver by inserting it into the connector marked RELAY. (See photo D).



Appendix

K. EXODRAFT EXTRACTOR ADJUSTMENT

Start by closing the room's doors and windows to get into normal operating condition.

- 1- Set extractor pressure switch to minimum (20Pa)



- 2- Activate service mode on the EFC21 (Press button **I** -> LEDs **A** and **B** flashing).

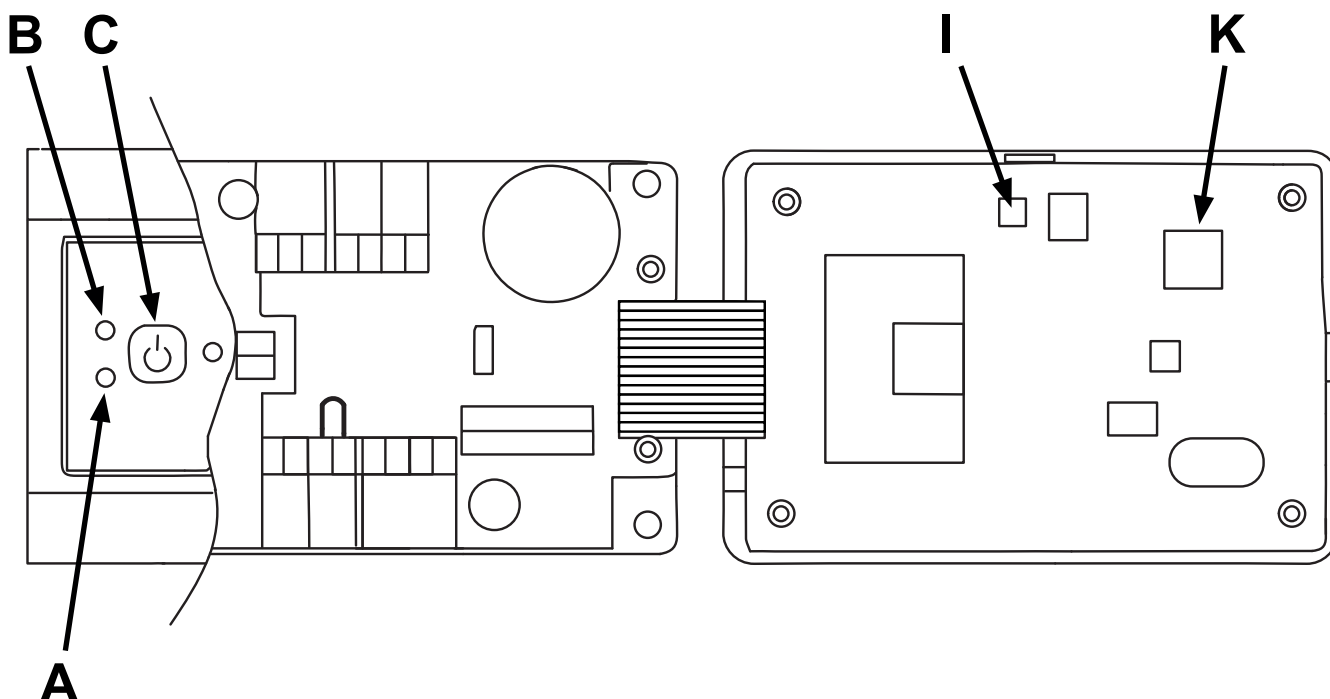
- 3- Set extractor speed to maximum (turn the potentiometer **K** clockwise)

- 4- Reduce extractor speed until the red light turns green.

- 5- Exit service mode (press button **C**)

- 6- Light the fireplace and check for spillage.

If spillage is present, turn off the fireplace and repeat the previous steps, increasing the draught setting by 10 Pa on the extractor.



Appendix

■ MERTIK FAULT FINDING CHART

FUNCTION		POSSIBLE CAUSE		REMEDY	
1	HANDSET START: Press both buttons to start ignition (IGN) sequence. Beep will occur each second.	No →	Transmitter batteries low.	Replace transmitter batteries. 9V quality alkaline recommended.	
			Receiver batteries low.	Replace receiver batteries with 1.5V "AA" quality alkaline batteries.	
			Optional mains adapter not operating properly.	Check mains adapter.	
			Check coding of transmitter and receiver. (Initial sync.)	Learn new code (reset). See label on receiver.	
			Transmitter distance limited.	1. Straighten the antenna. 2. Replace receiver. See wiring diagram, p. 33.	
OK ↓					
2	Magnet unit is energized (audible thud to detect functionality).	No →	No beep →	Impulse magnet not operating properly.	Replace gas valve.
			3 short beeps →	Low batteries.	Replace receiver batteries with 1.5V "AA" quality alkaline batteries.
			1 long beep →	ON/OFF switch in OFF position.	Switch to ON.
		OK ↓	8-wire cable Off/not operating properly.	Check 8-wire cable.	
			SW-cable disconnected.	Check cable connection. See figure 1 on page 33.	
			Motor not operating properly.	Replace gas valve.	
			Micro switch not operating properly.	Replace gas valve.	

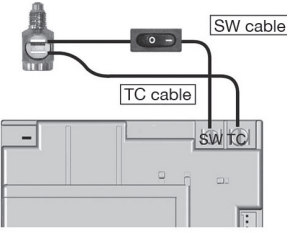
Appendix

FUNCTION		POSSIBLE CAUSE	REMEDY
3	Spark will occur each second.	No → Ignition components not operating properly.	<p>Check connection between cable & IGNelectrode. See wiring diagram, p. 33.</p> <p>Check IGN-electrode spark gap. See wiring diagram, p. 33.</p> <p>Check IGN-electrode. See wiring diagram, p. 33.</p> <p>Check IGN-cable for damage. See wiring diagram, p. 33.</p> <p>Increase distance between IGN-cable and all metal parts. Shorten IGN-cable if possible or cover, e.g. silicon hose. See wiring diagram, p. 33.</p>
		No → IGN-sequence stops, no pilot flame. No reaction to transmitter command. (Controller crashes.)	<p>Press RESET button. See "Setting the Electronics Code" p. 23.</p> <p>Add ground wire between pilot burner and valve. See wiring diagram, p. 33.</p> <p>Do not coil the IGN-cable.</p> <p>Shorten IGN-cable if possible (no longer than 900 mm). See wiring diagram, p. 33.</p>
		No → IGN-sequence stops, no pilot flame. Transmitter command is possible.	<p>Replace receiver batteries with 1.5V "AA" quality alkaline batteries.</p>

OK



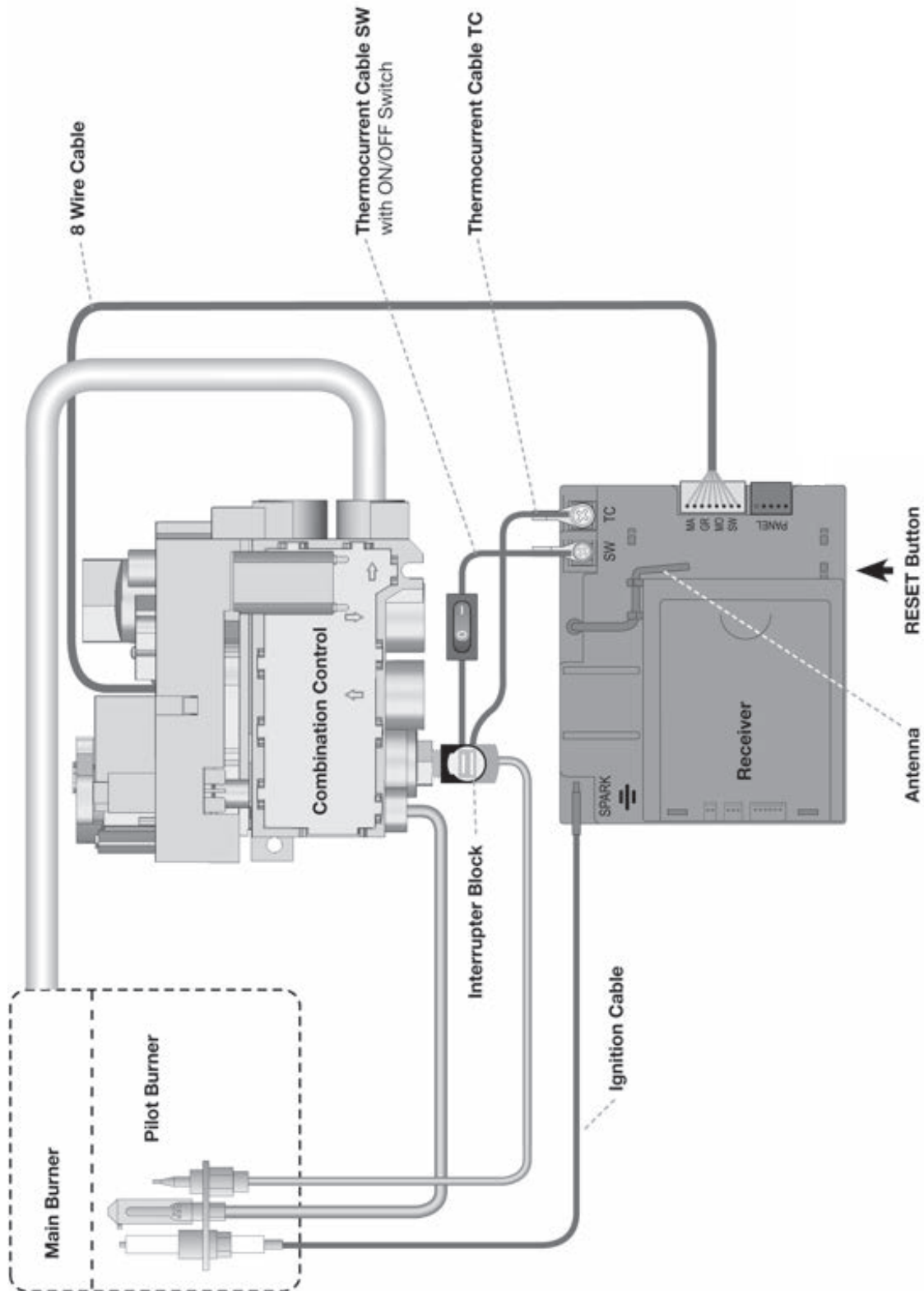
Appendix

FUNCTION		POSSIBLE CAUSE		REMEDY	
4	Pilot lit.	No →	TC- and SW-cable reversed.	Check connection of cable to receiver and interrupter. See figure 1.	
			Magnet unit not operating properly.	Replace gas valve or (magnet unit).	
			Short between interrupter and SW-cable.	Check connection to interrupter.	
			No gas (magnet unit drops after 30 second audible count).	Check gas supply.	
 <p>Figure 1</p>					
5	Sparkling stops after pilot is lit.	No →	Short between interrupter and TC-cable.	Check connection to interrupter. See figure 1.	
			Electronic measuring amplifier defective.	Replace Receiver. See wiring diagram, p. 33.	
6	Motor turns to main gas and pilot stays lit.	No →	Resistance in thermo current circuit too high.	Check cable in thermo-current circuit. See wiring diagram, p. 33.	
			Magnet unit drops (audible sound).	Not enough heat on thermocouple.	Check position of pilot to thermocouple and intensity of pilot flame.
			Low voltage from thermocouple.	Replace thermocouple Do not overtighten (hand tight +1/4 turn max).	
			Short because thermocouple end is damaged or not centered.	Replace thermocouple. Do not overtighten (hand tight +1/4 turn max).	
		No →	IGN-sequence stops. No reaction to transmitter command (Controller crashes).	Press RESET button. See "Setting the Electronics Code" p. 23.	
			Add ground wire between pilot burner and valve. See wiring diagram, p. 33.	Do not coil the IGN-cable.	
<p>Shorten IGN-cable if possible (no longer than 900 mm). See wiring diagram, p. 33.</p>					

Appendix

FUNCTION		POSSIBLE CAUSE		REMEDY
7	Main burner is lit.	No →	Manual knob in “MAN” position.	Turn manual knob to “ON” position (positive latch is required). See “Combination control” p. 42.
	OK ↓			
8	Main burner stays lit.	No →	Too much draft at pilot (poor flame impingement of thermo-couple).	Check installation.
	OK ↓			
9	Magnet unit drops while motor turns. 3 beeps.	No →	Low batteries.	Replace receiver batteries with 1.5V “AA” quality alkaline batteries.

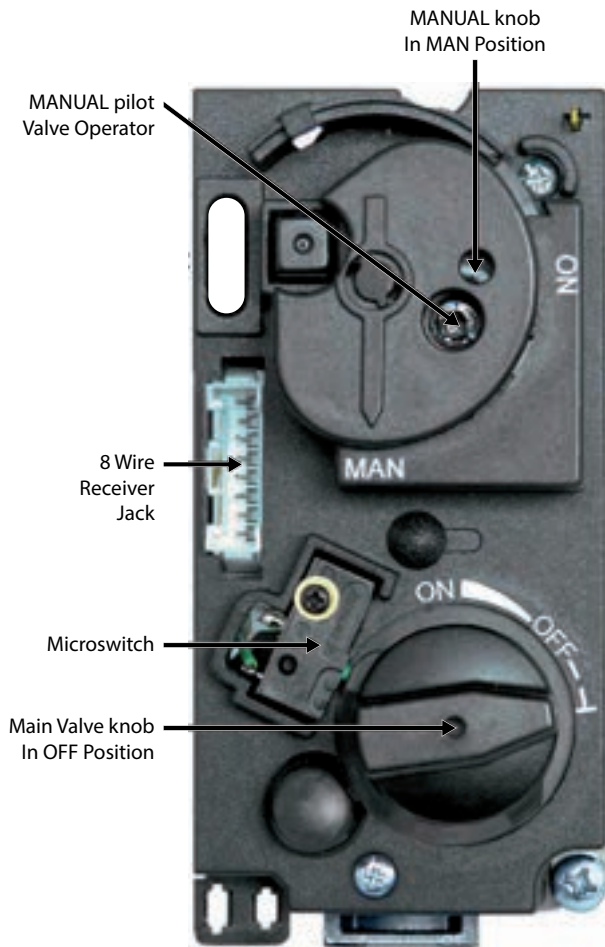
Appendix



Appendix

■ COMBINATION CONTROL

The picture below shows the front of the combination control. The combination control is located under the burner base (see page 14).



DECLARATION OF CONFORMITY

ATELIER DOMINIQUE IMBERT s.a.s.
3 Impasse Claque Patin
F - 34380 Viols le Fort

declares that the FOCUS decorative, fuel effect gas appliance **Ergofocus Gas** described here is in accordance with the appliance described in the EC-Type Examination Certificate No. ITS-2575-GAR-2334681 delivered by INTERTEK and comply with the essential requirements applicable to EN 509 :1999 + A1 :2003 + A2 :2004 and Regulation UE 2016/426.

Signed for and behalf of the manufacturer by :



Laurent Gaborit
Directeur Général

Viols le Fort, 10th October 2023

Note

A series of horizontal dotted lines for writing notes, spaced evenly down the page.

Note

A series of horizontal dotted lines for writing notes.

Note

A series of horizontal dotted lines for writing notes.



CREATE BEYOND CONVENTION

Création - Édition - Distribution :
Atelier dominique imbert

S.A.S. au capital de 102 355 euros
34380 Viols-le-Fort
France

Tel. : 00 33 (0)4 67 55 01 93
Web : www.focus-creation.com
Email : info@focus-creation.com