

## Launch of new product

# Bathyscafocus: open, gas-burning, with a base

Available immediately.

Production time from order: 8 weeks

Price: € 6 171 (exclusive of sales tax)

Option: mains adaptor €35 (exclusive of sales tax)

---

As announced as a priority in 2016, we are continuing to develop our range of gas models. To this end, we are happy to introduce the gas-burning open Bathyscafocus with a base. It is available in natural gas or propane.

This fire is supplied with the burner pre-installed; only the kit with the hearth furnishings (ceramic logs or stones) needs to be put in place.

The burner connection must be made by a licensed gas professional.

The burner can be operated and adjusted with a remote control (see page 5).

An annual maintenance check of the burner is required.

The installation of this fire does not require an electrical connection as it is powered by batteries. However, we can offer a mains adaptor on option if an electrical source is desired.

A fresh air intake of 200 cm<sup>3</sup> (Ø160 mm) in the room is required.

The outlet on the roof must extend beyond the roof ridge (the requirements are the same as for chimney outlets for wood-burning fireplaces). The connection is possible with a Ø200 to Ø230 mm flue. The minimum height required between the burner and the roof outlet is 5 m.

Performance with natural gas:

- heat output: 14 kW
- fuel consumption: 1,316 m<sup>3</sup>/hour

Performance with propane:

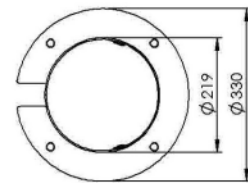
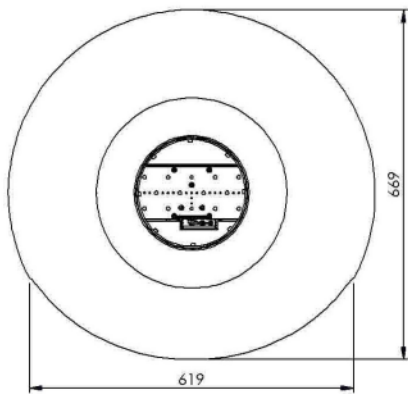
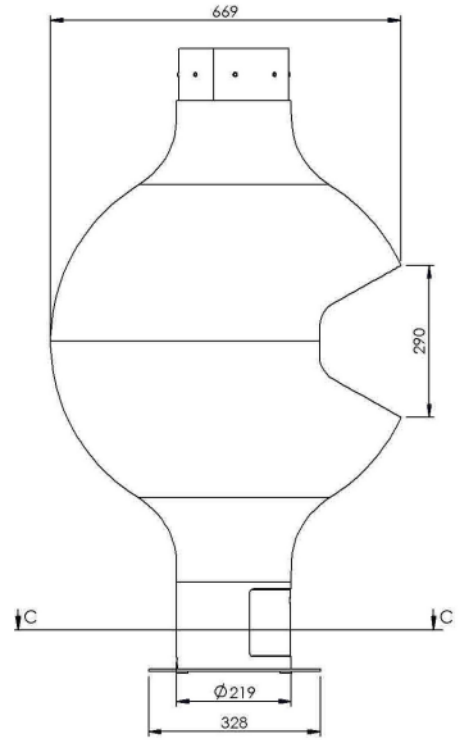
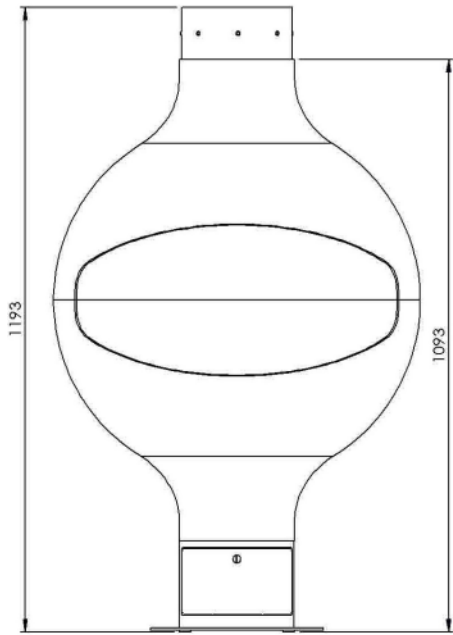
- heat output: 13,5 kW
- fuel consumption: 0,475 m<sup>3</sup>/heure

Finish:

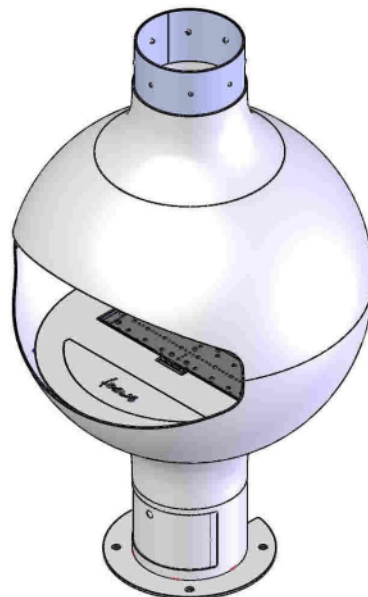
- matte black paint (standard)
- slate grey paint (on option)



# dimensions



COUPE C-C



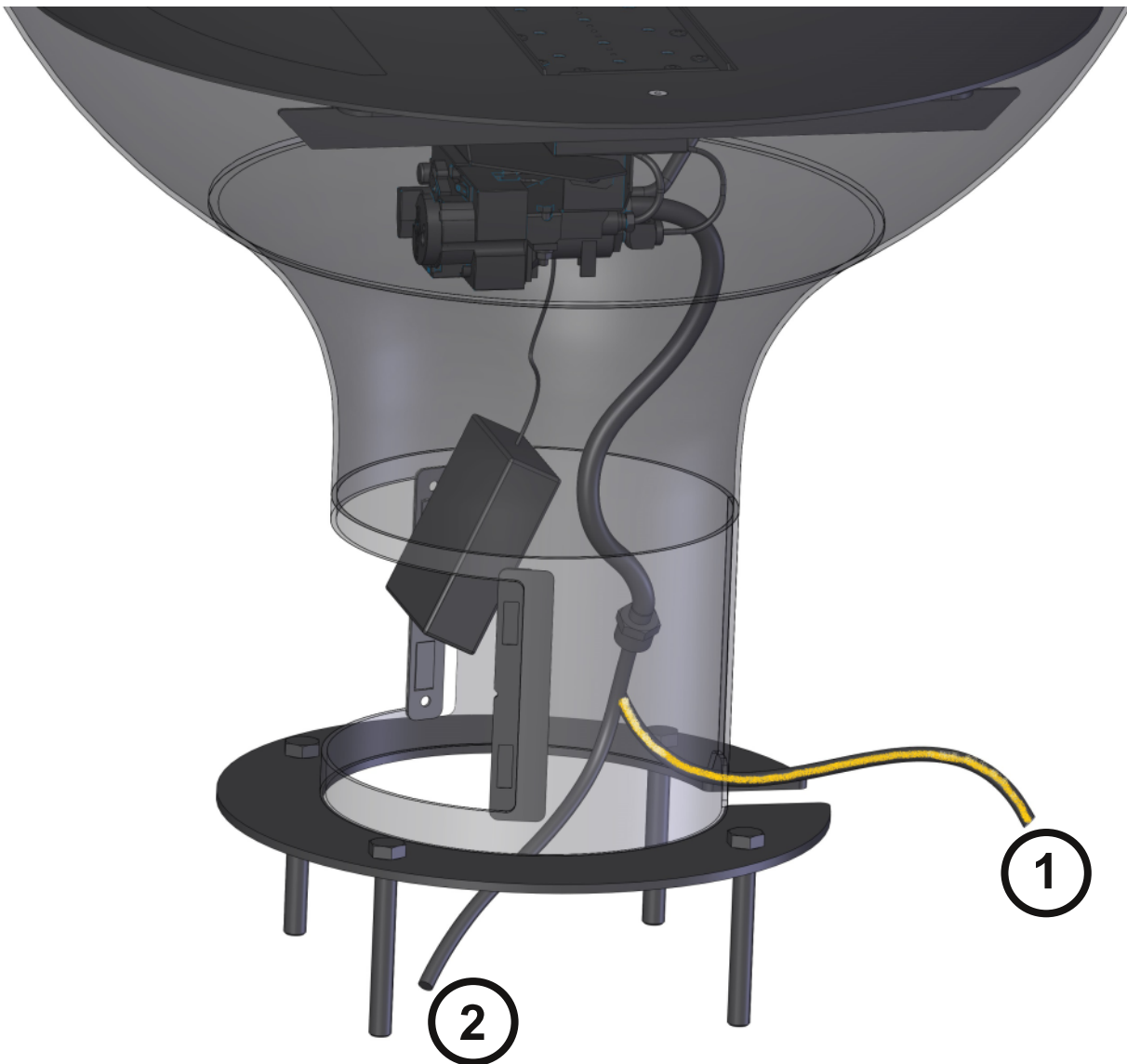
# components of the fire



## gas supply

The gas intake is located in the base, allowing two possible installation configurations:

- 1 **Visible gas intake** (above the floor): an opening is provided to allow the gas pipe to pass behind the base.
- 2 **Invisible gas intake** (below the floor): the plate that attaches to the floor is designed to allow the gas intake to be installed below the base.



## hearth furnishings



ceramic logs



ceramic stones

## Remote control




The burner operates with a remote control that includes the following functionalities:

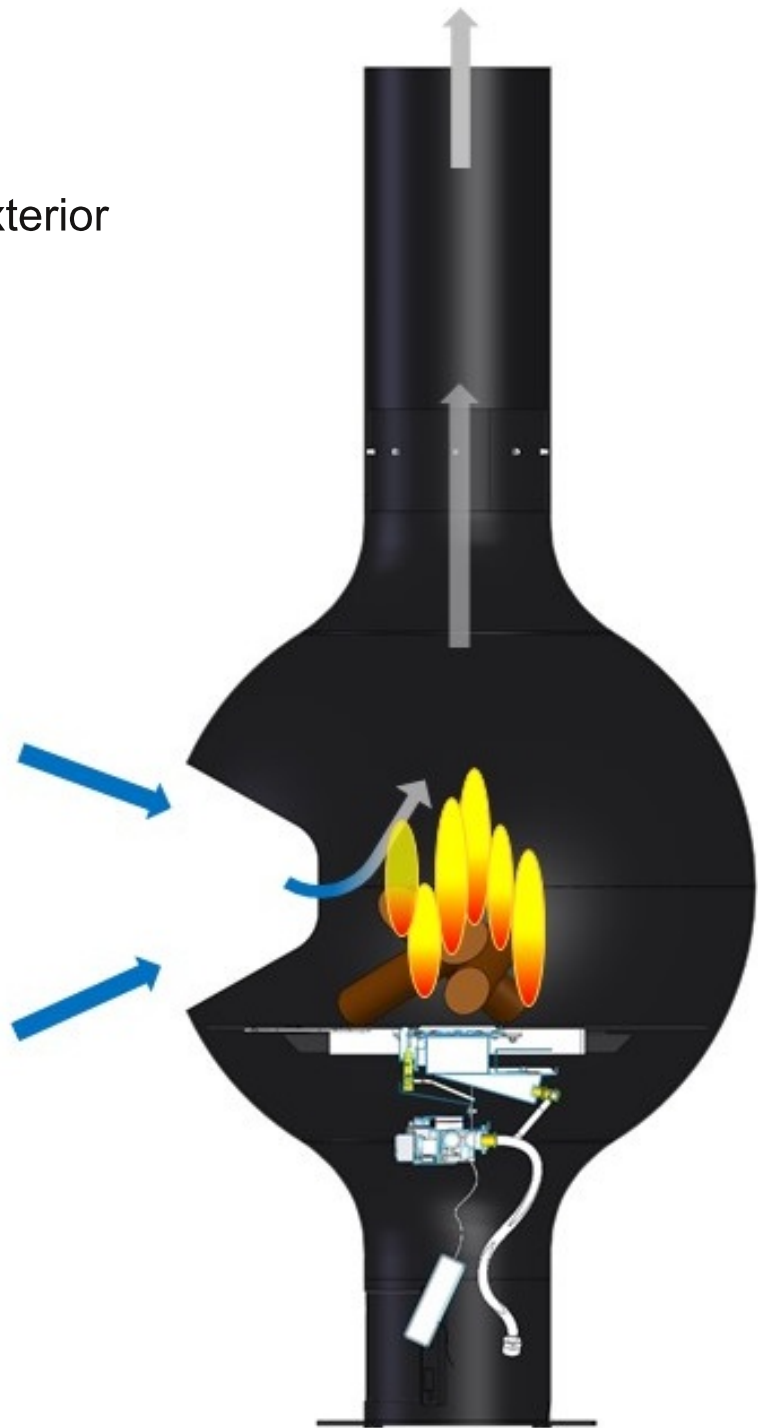
- temperature control (Fahrenheit or Celsius)
- time control
- flame height adjustment
- timer
- thermostatic mode
- programme mode
- 'eco' mode ("dancing light")
- standby mode (pilot light)
- childproof mode.

The batteries for the remote control and the receiver (located in the base of the fire) are supplied.

# air flow diagram

 fresh air from exterior

 combustion



## list of countries in which the gas-burning Bathyscafocus has been certified

<b>Product:</b>	Open Gas Burners
<b>Models:</b>	200mm to 4000mm
<b>Category</b>	<b>Countries</b>
I <sub>3+</sub> (2B-30/37)	BE, CH, CY, CZ, ES, FR, GB, GR, IE, IT, LT, LU, LV, PT, SK, SI
I <sub>3B/P</sub> (30)	BE, CY, DK, EE, FI, FR, HU, IT, LT, NL, NO, SE, SI, SK, RO, HR, TR, BG, IS, LU, MT
I <sub>3B/P</sub> (37)	PL
I <sub>3B/P</sub> (50)	AT, CH, DE, SK
I <sub>3P</sub> (30)	FI, NL, RO
I <sub>3P</sub> (37)	BE, CH, CZ, IT, ES, FR, GR, GB, HR, LT, NL, PT, SK, IE, SI
I <sub>3P</sub> (50)	AT, CH, DE, NL, LU, SK
I <sub>2H</sub>	AT, BG, CZ, DK, EE, FI, GR, HR, HU, IS, IE, IT, LV, LT, NO, PT, RO, SK, SI, ES, SE, CH, TR, GB
I <sub>2E+</sub>	BE, FR
I <sub>2L</sub>	NL

## packaging

external measurements of the carton: 75 x 75 x150 cm

total weight: 80 kg

