

Steel fireplace NADIA 13 kW Ø 200

SKU: NADIA/13 EAN: 5901350066843



Technical data

General data

Version	Front facing
Rated output (kW)	13
Heating power range (kW)	6.0 - 16.5
Heating efficiency (%)	81
Exhaust gas temperature (°C)	240
Max length of logs (cm)	40
Min inlet grids active field (cm ²)	≥700
Min outlet grids active field (cm ²)	≥900
Flue outlet diameter (mm)	200
Color	Black
Self Closure	No
Materials	Steel
Door opening direction	Left

Energetic efficiency

Energy class	A
Energy efficiency index (EEI)	106.71
Moc cieplna do ogrzewania pomieszczeń (kW)	13
CO emissions (at 13% O ₂) ≤ given in %	0.09
Dust emission (mg/Nm ³)	37

Certifications / Compliance

Meets requirements

**KRATKI PRO, Ecodesign,
Designed for recuperation,
BlmSchV 2**

Additional information

Design features

**Air intake - built in ,
Combustion chamber
lining, Decorative glass**

Front type

**Steel front with painted
glass**

Type of fuel

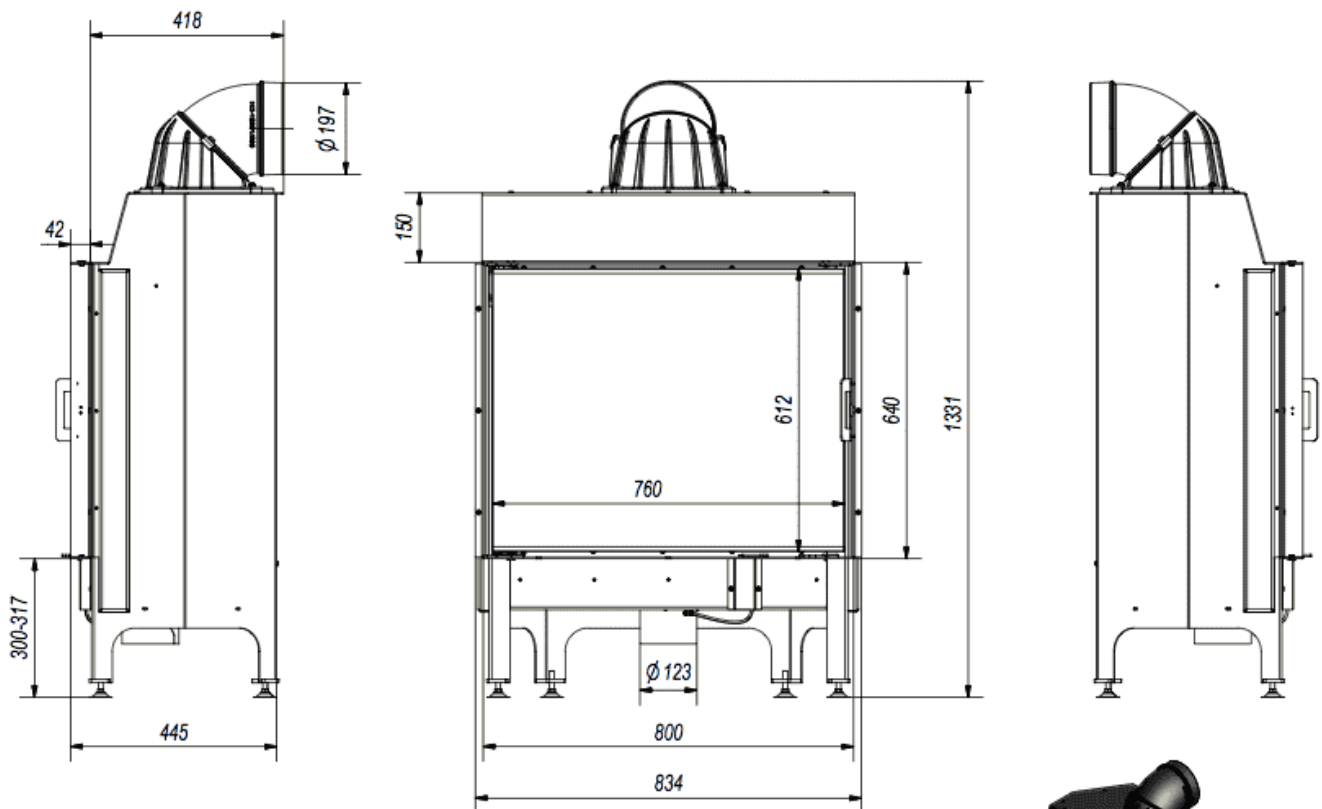
**Seasoned deciduous wood
(humidity ≤20%)**

EAN

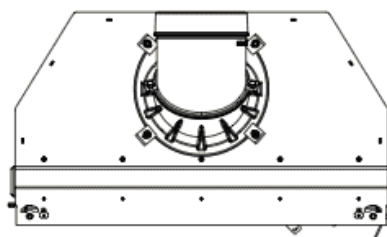
5901350066843

Physical parameters

Width (cm)	83.4
Height (cm)	133.1
Depth (cm)	41.8
Weight (kg)	178



NADIA/13



NADIA/13