

## Launch of new product

# Boafocus

Available immediately.

Production time from order: 10 weeks

---

In the heating market, the share of gas fires is rapidly expanding. Gas offers an incomparable level of comfort and autonomy. It is an energy source that is clean, safe, reliable and has no storage constraints.

For these reasons, Focus is developing our range of gas-burning fireplaces to continue to offer you more models that meet the demands of your customers. The latest of these is 2018's first gas model: the Boafocus. In fact, two new models, since we are simultaneously launching a central and a wall-mounted version.

- With its compact hearth diameter (500 mm), the central Boafocus offers unquestionable visual appeal and exceptional performance.
- The wall-mounted Boafocus shares the same design and performance as the central model. The hearth has the same width (500 mm), but less depth (440 mm), allowing it to rest against a wall and free up even more space.

The Boafocus is a balanced-flue fire that can be fuelled by natural gas or propane. Both versions of the model have CE certification (see page 8 for the list of countries in which it can be sold). The hearth is designed so it does not require air intake from the room, making it possible to install in low-energy buildings.

The fire is delivered with the burner pre-installed; only the ceramic log kit needs to be assembled. An electrical connection is not required as the fire is battery-operated. A mains adaptor is available as an option. The burner is operated with a remote control (see page 6 for details).

The connection of the gas burner must be carried out by a certified installer. Annual servicing is mandatory. The fire is supplied with 6 ml of ceramic sealant to allow resealing for airtightness after maintenance.

Finish:

- matte black paint (standard)
- slate grey paint (on option)

Performance with natural gas:

- heat output: 6 - 7 kW
- fuel consumption: 0,673 - 0,723 m3/hour

Performance with propane:

- heat output: 3,6 - 4,1 kW
- fuel consumption: 0,116 - 0,144 m3/hour



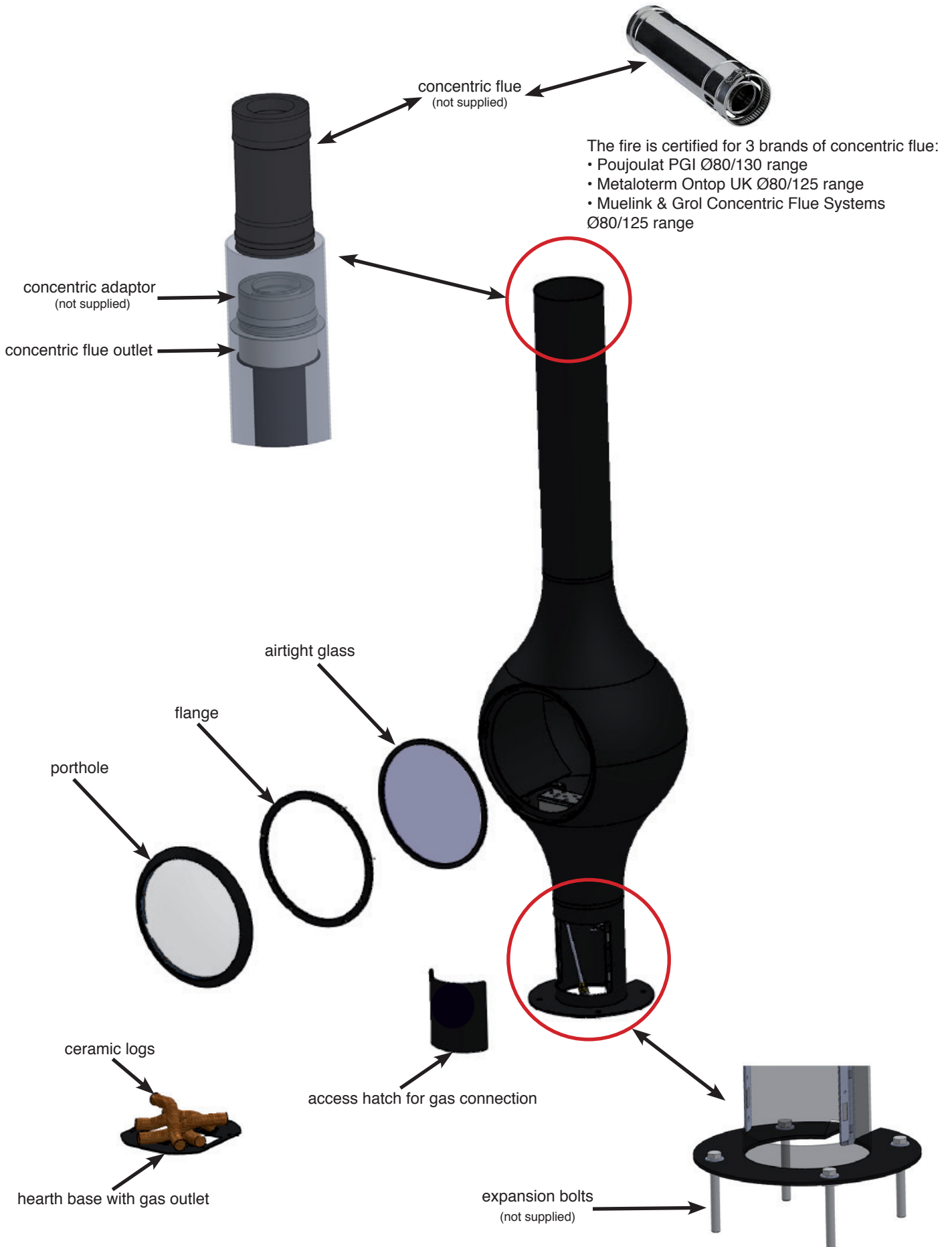
Wall-mounted Boafocus



Central Boafocus

This document is the property of Atelier Dominique Imbert SAS. It contains private and confidential information and is strictly reserved for the use of the Focus partners/dealers it is addressed to. It is strictly prohibited to disclose this document to any third party without our prior authorisation, under penalty of action for damages and prosecution for patent infringement.

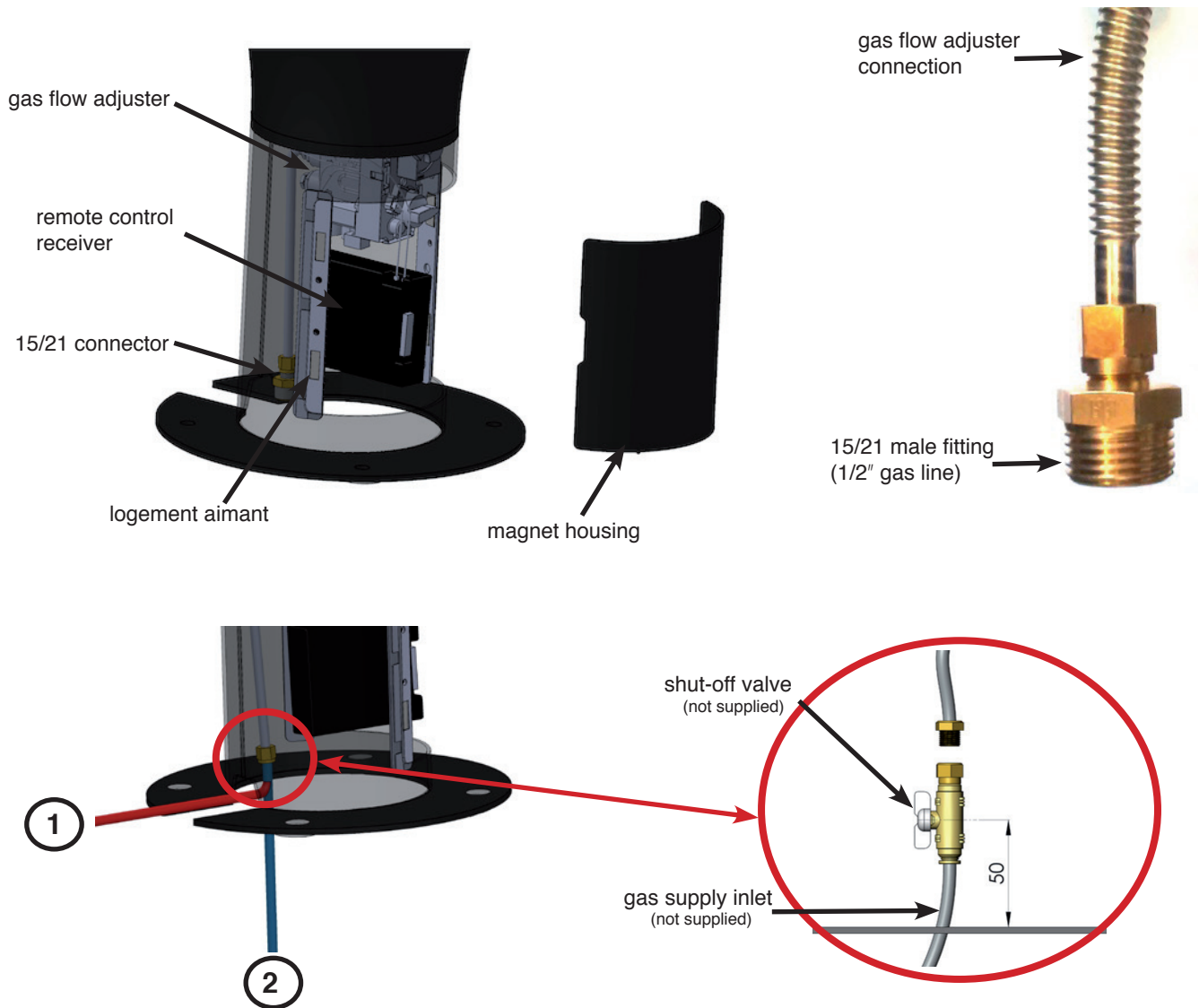
# components of the fire



This document is the property of Atelier Dominique Imbert SAS. It contains private and confidential information and is strictly reserved for the use of the Focus partners/dealers it is addressed to. It is strictly prohibited to disclose this document to any third party without our prior authorisation, under penalty of action for damages and prosecution for patent infringement.

# gas connection

The fire is delivered with the burner system pre-installed. A certified installer will need to connect the burner hose to the gas supply line. To facilitate the connection, the burner hose is equipped with a 15/21 male fitting (1/2" gas line). The installer will need to provide a 15/21 female coupler with a swivel nut (1/2" gas line).

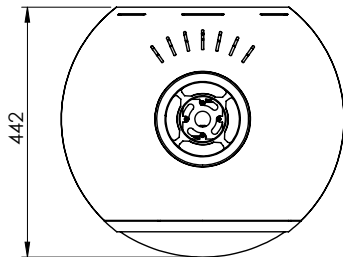
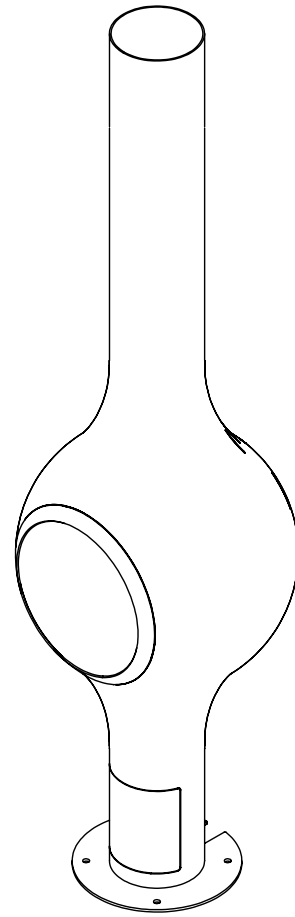
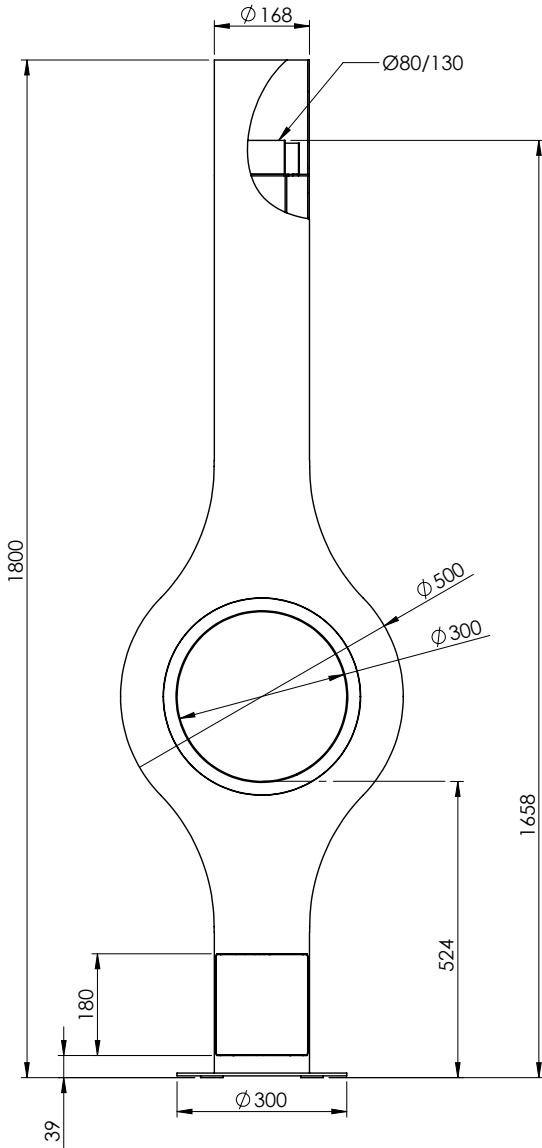


The gas inlet arrives through the floor, allowing two possible installation configurations:

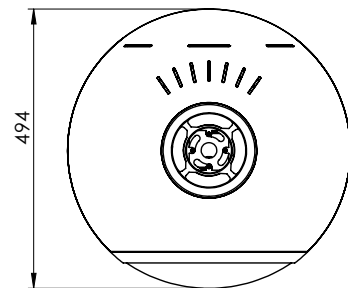
1) visible gas pipe (above the floor): an opening allows the gas supply pipe to reach the rear of the fire.

2) non-visible gas pipe (under the floor): the floor plate is designed to allow the gas to be supplied from underneath the hearth.

# dimensions



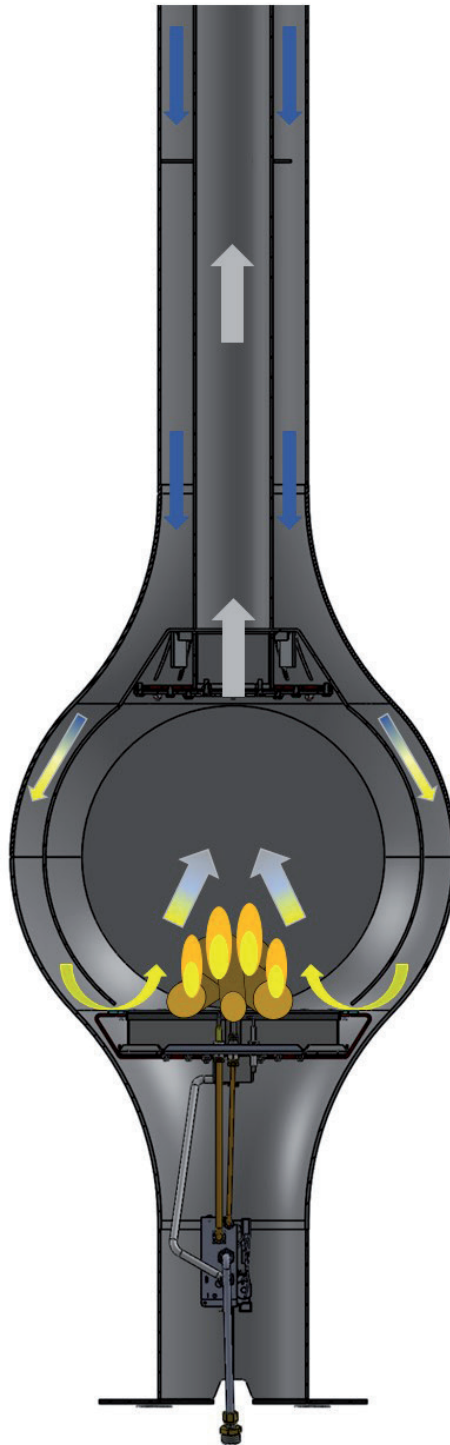
Wall-mounted Boafocus



Central Boafocus

# air flow diagram

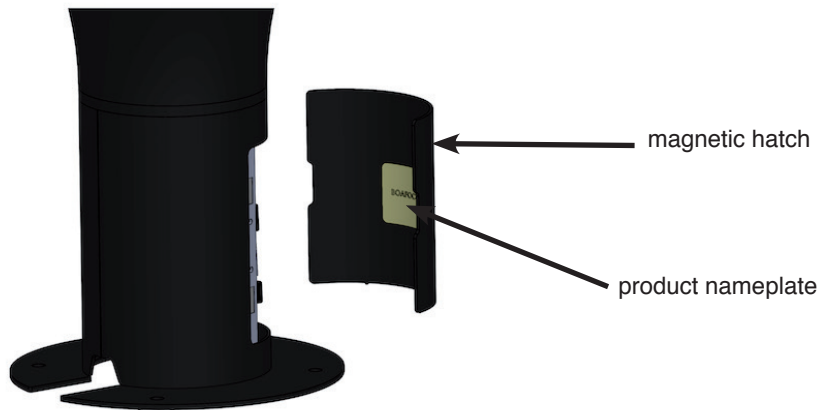
-  fresh air from exterior
-  primary air
-  combustion



This document is the property of Atelier Dominique Imbert SAS. It contains private and confidential information and is strictly reserved for the use of the Focus partners/dealers it is addressed to. It is strictly prohibited to disclose this document to any third party without our prior authorisation, under penalty of action for damages and prosecution for patent infringement.

# product nameplate

The product nameplate is located inside the magnetic hatch.



# remote control

The fire is operated by a remote control with the following functionality:

- temperature control (Fahrenheit or Celsius)
- time settings
- child safety settings
- flame height adjustment
- timer
- thermostatic mode
- programme mode
- Eco mode

Batteries for the remote control and the receiver (located in the hearth base) are supplied.



# packaging



dimensions : 190 x 76 x 86cm

weight : 115 kg

---

This document is the property of Atelier Dominique Imbert SAS. It contains private and confidential information and is strictly reserved for the use of the Focus partners/dealers it is addressed to. It is strictly prohibited to disclose this document to any third party without our prior authorisation, under penalty of action for damages and prosecution for patent infringement.

---

## list of countries in which the Boafocus is certified

Pays	Gaz Naturel	GPL
AT -Autriche	I2H, G20 at 20 mbar	I3P(50),G31 at 50 mbar; I3B/P(50),G30/G31 at 50 mbar
BE -Belgique	I2E+, G20/G25 at 20/25 mbar	I3+,G31/G31 at 28/37 mbar; I3P(37),G31 at 37 mbar; I3B/P(30),G30/G31 at 30 mbar
BG -Bulgarie	I2H, G20 at 20 mbar	I3B/P(30),G30/G31 at 30 mbar
CH - Suisse	I2H, G20 at 20 mbar	I3P(50),G31 at 50 mbar; I3+,G31/G31 at 28/37 mbar; I3P(37),G31 at 37 mbar; I3B/P(50),G30/G31 at 50
CY -Chypre	I2H, G20 at 20 mbar	I3+,G31/G31 at 28/37 mbar; I3B/P(30),G30/G31 at 30 mbar
CZ -Rép. Tchèque	I2H, G20 at 20 mbar	I3P(50),G31 at 50 mbar; I3+,G31/G31 at 28/37 mbar; I3P(37),G31 at 37 mbar; I3B/P(50),G30/G31 at 50
DE -Allemagne	I2ELL, G25 at 20 mbar <sup>1</sup> ; I2E, G20 at 20 mbar	I3P(50),G31 at 50 mbar; I3B/P(50),G30/G31 at 50
DK -Danemark	I2H, G20 at 20 mbar	I3B/P(30),G30/G31 at 30 mbar
EE -Estonia	I2H, G20 at 20 mbar	I3B/P(30),G30/G31 at 30 mbar
ES -Espagne	I2H, G20 at 20 mbar	I3+,G31/G31 at 28/37 mbar; I3P(37),G31 at 37 mbar
FI -Finlande	I2H, G20 at 20 mbar	I3P(30),G31 at 30 mbar; I3B/P(30),G30/G31 at 30 mbar
FR -France	I2E+, G20/G25 at 20/25 mbar	I3+,G31/G31 at 28/37 mbar; I3P(37),G31 at 37 mbar; I3B/P(30),G30/G31 at 30 mbar; I3B/P(50),G30/G31 at 50
GB -United Kingdom	I2H, G20 at 20 mbar	I3+,G31/G31 at 28/37 mbar; I3P(37),G31 at 37 mbar; I3B/P(30),G30/G31 at 30 mbar
GR -Grèce	I2H, G20 at 20 mbar	I3+,G31/G31 at 28/37 mbar; I3P(37),G31 at 37 mbar; I3B/P(30),G30/G31 at 30 mbar
HU -Hongrie		I3B/P(30),G30/G31 at 30 mbar
HR -Croatie	I2H, G20 at 20 mbar	I3P(37),G31 at 37 mbar; I3B/P(30),G30/G31 at 30 mbar
IE -Irlande	I2H, G20 at 20 mbar	I3+,G31/G31 at 28/37 mbar; I3P(37),G31 at 37 mbar
IS -Iceland		
IT -Italie	I2H, G20 at 20 mbar	I3+,G31/G31 at 28/37 mbar; I3P(37),G31 at 37 mbar; I3B/P(30),G30/G31 at 30 mbar
LT -Lithuanie	I2H, G20 at 20 mbar	I3+,G31/G31 at 28/37 mbar; I3P(37),G31 at 37 mbar; I3B/P(30),G30/G31 at 30 mbar
LU -Luxembourg	I2E, G20 at 20 mbar	
LV -Latvia	I2H, G20 at 20 mbar	
MT -Malte		I3B/P(30),G30/G31 at 30 mbar
NL -Pays-Bas	I2L, G25 at 25 mbar I2L, G25 at 25 mbar	I3P(50),G31 at 50 mbar; I3P(30),G31 at 30 mbar; I2EK/ I2(43.46 -45.3 MJ/m3 (0°C)), G25.3 at 25 mbar; I3P(37),G31 at 37 mbar; I3B/P(30),G30/G31
NO -Norvège	I2H, G20 at 20 mbar	I3B/P(30),G30/G31 at 30 mbar
PL -Pologne	I2E, G20 at 20 mbar	I3P(37),G31 at 37 mbar
PT -Portugal	I2H, G20 at 20 mbar	I3+,G31/G31 at 28/37 mbar; I3P(37),G31 at 37 mbar
RO -Roumanie	I2E, G20 at 20 mbar	I3P(30),G31 at 30 mbar; I3B/P(30),G30/G31 at 30 mbar
SE - Suède	I2H, G20 at 20 mbar	I3B/P(30),G30/G31 at 30 mbar
SL -Slovénie	I2H, G20 at 20 mbar	I3+,G31/G31 at 28/37 mbar; I3P(37),G31 at 37 mbar; I3B/P(30),G30/G31 at 30 mbar
SK -Slovaquie	I2H, G20 at 20 mbar	I3P(50),G31 at 50 mbar; I3+,G31/G31 at 28/37 mbar; I3P(37),G31 at 37 mbar; I3B/P(30),G30/G31 at 30 mbar; I3B/P(50),G30/G31 at 50
TR -Turquie	I2H, G20 at 20 mbar	I3+,G31/G31 at 28/37 mbar; I3P(37),G31 at 37 mbar; I3B/P(30),G30/G31 at 30 mbar

This document is the property of Atelier Dominique Imbert SAS. It contains private and confidential information and is strictly reserved for the use of the Focus partners/dealers it is addressed to. It is strictly prohibited to disclose this document to any third party without our prior authorisation, under penalty of action for damages and prosecution for patent infringement.